

Patents, Designs, and Trade Marks

SUPPLEMENT

TO THE

NEW ZEALAND GAZETTE

OF

THURSDAY, AUGUST 26, 1909.

Published by Authority.

WELLINGTON, THURSDAY, AUGUST 26, 1909.

CONTENTS.

	Page
Complete Specifications and Drawings open to Inspection	2217
International and Intercolonial Arrangements for the Mutual Protection of Patents and Trade Marks	2218
Patent Publications in New Zealand	2218
Books and Documents open to Inspection at Patent Office, Wellington	2218
Books, Documents, &c., open to Inspection at Local Patent Offices, Auckland, Christchurch, and Dunedin	2219
Specifications of Inventions open to Inspection	2219
Official Publications	2219
Local Patent Offices	2219
Office for Registration of Copyright	2219
Patent Agent registered	2219
Despatch.—Industrial Property Convention: Accession of Austria-Hungary	2220
Applications for Letters Patent filed	2220
Complete Specifications filed after Provisionals	2221
Complete Specifications accepted	2222
Provisional Specifications accepted	2226
Letters Patent sealed	2227
Letters Patent on which Fees have been paid	2227
Subsequent Proprietors of Letters Patent registered	2228
Applications for Letters Patent abandoned	2228
Applications for Letters Patent void	2228
Applications for Letters Patent lapsed	2228
Letters Patent void	2228
Notice of Request to amend Specification	2228
Requests to amend Specification allowed	2229
Designs expired	2229
Applications for Trade Marks filed	2229
Applications for Registration of Trade Marks	2229
Trade Marks registered	2235
Trade Mark Renewal Fees paid	2236
Trade Mark removed from the Register	2236

Complete Specifications and Drawings open to Inspection at Auckland, Dunedin, and Christchurch.

COPIES of the complete specifications and drawings advertised in the *Gazette* will be sent for public inspection to the

LOCAL PATENT OFFICES

IN THE

SUPREME COURT BUILDINGS

in the following towns on or about the dates mentioned:—

Auckland.

Gazette No. 71, of the 26th August. 1st September to 15th September, inclusive.

Dunedin.

Gazette No. 71, of the 26th August. 21st September to 5th October, inclusive.

Gazette No. 66, of the 12th August. 7th September to 21st September, inclusive.

Gazette No. 63, of the 29th July. 26th August to 9th September, inclusive.

Christchurch.

Gazette No. 71, of the 26th August. 9th October to 23rd October, inclusive.

Gazette No. 66, of the 12th August. 25th September to 9th October, inclusive.

Gazette No. 63, of the 29th July. 13th September to 27th September, inclusive.

Gazette No. 59, of the 15th July. 30th August to 13th September, inclusive.

[NOTE.—The office can take no responsibility if from any cause the specifications are not so available.]

International and Intercolonial Arrangements for the Mutual Protection of Patents and Trade Marks.

INTERNATIONAL CONVENTION.

THE following countries now belong to the Convention:—

Australia.	Italy.
Austria-Hungary.	Japan.
Belgium.	Mexico.
Brazil.	New Zealand.
Ceylon.	Norway.
Cuba.	Portugal, with the Azores and Madeira.
Denmark and Faroe Islands.	Servia.
Dominican Republic.	Spain.
France, with Algeria and Colonies.	Sweden.
Germany.	Switzerland.
Great Britain.	Tunis.
Holland, with East Indian Colonies, Curaçoa, and Surinam.*	United States of America.

* Trade marks only.

Separate arrangements have been made between Australia and New Zealand.

Particulars of the Convention and of such arrangements may be seen in the following *Gazettes*:—

Notification of adhesion of New Zealand to the Convention, with text thereof (in English), in the *Gazette* of 26th November, 1891; notification of adherence of New Zealand to the Additional Act of the Convention, with text (in English), of such Additional Act, in *Patents Supplement to Gazette* No. 101, of the 16th November, 1905; Order in Council applying section 103 of the Imperial Act to New Zealand, in *Gazette* No. 27, of the 15th May, 1890; Orders in Council containing arrangements between Australia and New Zealand, in *Patent Supplements to the Gazette* Nos. 22 of the 9th March, 1905, and 38 of the 20th April, 1905.

Patent Publications in New Zealand.

THE following publications relating to Patents for inventions, &c., are open to inspection in the Dominion:—

WELLINGTON.—PATENT OFFICE LIBRARY.

United Kingdom.

The full text of the specifications and complete drawings of inventions patented from the year 1617 up to the 29th April, 1909.

Classified illustrated abridgments of inventions from 1855 to 1906 and part of 1907.

Illustrated Official Journal, containing lists of recent applications, abridgments of inventions for which patents have been lately granted, patents void, &c., to July, 1909.

Index of Applicants.

Subject-matter Index.

Commissioner of Patents Journal, &c.^(a)

Trade Marks Journal to April, 1909.

Canada.

Patent Office Record (containing illustrated abridgments of inventions, &c.) to April, 1909.

Australia.

The full text of the specifications and complete drawings in respect of applications accepted from the 11th January, 1906, to the 2nd February, 1909, inclusive.

The Official Journal of Patents of the Australian Commonwealth (containing lists of applications for letters patent, abridgments of complete specifications accepted, &c.).

The Australian Official Journal of Trade Marks (containing lists of applications for registration of trade marks, &c.).

Specifications, drawings, abridgments, and indexes of Victoria, New South Wales, Queensland, and South Australia^(b).

United States.

The full text of the specifications and drawings for the years 1905 and 1906.

The Official Gazette of the United States Patent Office (containing illustrated abridgments of specifications, &c.) to June, 1909.

Mexico.

The Official Gazette of the Patent and Trade Mark Office.

(a) Discontinued.

(b) In arrears. Not now being printed.

General.

La Propriété Industrielle (the official organ of the International Bureau of the Union for the Protection of Industrial Property).

Patent laws of the world.

Patent and Trade Mark Review.

Text-books and handbooks on patents and trade marks.

AUCKLAND.—PUBLIC LIBRARY.

United Kingdom.

Classified abridgments of inventions from 1855 to 1904.

Illustrated Official Journal from 1897 to date.

Canada.

Patent Office Record (containing illustrated abridgments of inventions, &c.) from 1897 to date.

Australia.

The Official Journal of Patents from 1905 to date.

United States.

The Official Gazette of the United States Patent Office (containing illustrated abridgments of specifications, &c.) from 1885 to 1887 and 1890 to 1895.

CHRISTCHURCH.—PUBLIC LIBRARY.

United Kingdom.

Classified abridgments of inventions from 1855 to 1904.

Illustrated Official Journal from October, 1905, to date.

Canada.

Patent Office Record (containing illustrated abridgments of inventions, &c.) from 1897 to date.

Australia.

The Official Journal of Patents from 1905 to date.

DUNEDIN.—PUBLIC LIBRARY.

United Kingdom.

Classified abridgments of inventions from 1855 to 1904.

Illustrated Official Journal from October, 1905, to date.

Australia.

The Official Journal of Patents from 1905 to date.

Books and Documents open to Inspection at Patent Office, Wellington.

THE following documents and books are open to public inspection at the Patent Office:—

PATENTS.

(Fee for each search or inspection, not exceeding one hour, 1s.)

1. The files relating to all applications for letters patent in respect of which complete specifications have been accepted.

2. Classified copies of specifications and drawings, with index and key^(a).

3. Register of Applications for Letters Patent.

4. Register of Patents.

5. Register of Subsequent Proprietors of Letters Patent^(b).

6. Index of Patentees^(c).

7. Index of Proprietors of Letters Patent granted prior to 1890^(d).

8. Index of Specifications^(e).

DESIGNS.

(Search fee, 1s. each quarter of an hour.)

1. Register of Designs, with Index of Names of Proprietors.

2. Classified Representations of Designs in respect of which Copyright has expired.

3. Index of Designs.

(a) Key is in card index.

(b) This Register contains only names of subsequent proprietors of letters patent granted prior to 1st January, 1890; since that date they appear in Register of Patents.

(c) Includes all names of applicants, &c., and consists of four volumes to 4th November, 1903, and card index since that date. A separate card index is kept for current quarter.

(d) The names of proprietors of subsequent letters patent appear in the Index of Patentees.

(e) Contains classified abridgments of specifications from 1861, with extracts from drawings from July, 1904.

TRADE MARKS.

(Search fee, 1s. each quarter of an hour.)

1. The files relating to all applications for registration of trade marks.
2. Register of Applications for Registration of Trade Marks.
3. Register of Trade Marks.
4. Index of Applicants for Registration of Trade Marks^(a).
5. Index of Trade Marks.
6. Classified Representations of Trade Marks, with indexes.

MISCELLANEOUS.

Register of Patent Agents.

FORMS AND PUBLICATIONS.

The following forms, &c., may be had on application at the Patent Office, Wellington, or at any of the local Patent Offices named below:—

- Application for letters patent.
- Provisional specification.
- Complete specification and copy thereof.
- Application for registration of design.
- Application for registration of trade mark.
- Applications for extension of time.
- Requests by subsequent proprietor to enter name on Register of Patents and Trade Marks.
- Printed sheets of information as to fees and procedure to obtain letters patent and to register a trade mark^(b).
- Pamphlet containing Act and Regulations (price 1s.).

^(a) Names of applicants for registration and proprietors of trade marks are indexed at the beginning of the Registers up to 31st December, 1889; in separate volume up to 5th September, 1904; and since the latter date in card index.

^(b) May also be obtained at any local Patent Office or money-order office.

Books, Documents, &c., open to Inspection at Local Patent Offices, Auckland, Christchurch, and Dunedin.

BOOKS, documents, &c., open to inspection, and forms, &c., procurable, at the local Patent Offices at Auckland, Christchurch, and Dunedin.

BOOKS, ETC., OPEN TO INSPECTION.

Complete specifications and drawings of inventions. (Note.—One set of the specifications and drawings is sent, on acceptance, to Auckland, Christchurch, and Dunedin in succession, remaining fourteen days at each place, as advertised in the *Gazette*. Search fee, 1s. per hour.)

Classified abridgments of inventions from 1st January, 1908, to 31st March, 1909. (Search fee, 1s.)

Weekly lists of applications for patents up to and including those filed on Friday may be seen on the following Monday. (Search fee, 1s.)

Name Index—Patents, 1861–1889. (Search fee, 1s.)

Annual Reports, containing alphabetical lists of applicants and subject-matter indexes since 1890.

Patents Supplement to the *New Zealand Gazette*.

Patents, Designs, and Trade Marks Act and Rules.

Acts and Rules of other countries.

Australian Official Journal of Patents.

FORMS, ETC., OBTAINABLE.

The following forms, &c., may be obtained on application:—

- Applications for letters patent.
- Provisional specification.
- Complete specification, and copy thereof.
- Application for registration of design.
- Application for registration of trade mark.
- Applications for extension of time.
- Requests by subsequent proprietor to enter name on Register of Patents and Trade Marks.
- Printed sheets of information as to fees and procedure to obtain letters patent and to register designs and trade marks. Act and Regulations. (Price, 1s. 6d.)

NOTE.—The classified abridgments of the specifications and drawings of the United Kingdom may be seen in the Public Library of each of the above three principal towns. Other publications will be placed on file as soon as they are available.

Specifications of Inventions Open to Inspection.

COMPLETE specifications and drawings of inventions may be seen on acceptance at the Patent Office, Wellington, and are also available for inspection for a fortnight at the local Patent Offices at Auckland, Christchurch, and Dunedin.

Lists giving names of applicants and titles of inventions may be obtained for posting in factories, libraries, technical schools, or other places where they are likely to be seen by persons interested, on application to the Registrar of Patents, Wellington.

Official Publications.

THE following publications may be obtained from the Government Printer, Wellington:—

Printed specifications to the end of the year 1879. (Some of these are now out of print.)

Annual lists of letters patent and letters of registration applied for, and particulars of applications lapsed, and patents lapsed, from 1880 to 1893 inclusive. (The lists for the last four of these years are contained in the *Annual Reports of the Registrar*.)

Annual reports of the Registrar, containing alphabetical indexes of applicants for letters patent and of subject-matter of inventions patented from 1894 to 1907 inclusive.

The Patents Supplement to *Gazette* (containing notifications, applications for letters patent, abridged descriptions and drawings of inventions, &c.), published fortnightly.

Name Index of Patents, &c., 1861–1890. (Price, 1s.)

Local Patent Offices.

LOCAL Patent Offices for the reception of applications, supply of forms, &c., have been established at the following places:—

- Auckland—Supreme Court. (E. W. Cave, agent.)
- Whangarei—Courthouse. (W. J. Reeve, agent.)
- Thames—Courthouse. (J. Jordan, agent.)
- Waihi—Courthouse. (J. McIndoe, agent.)
- Hamilton—Courthouse. (H. J. Dixon, agent.)
- Gisborne—Courthouse. (G. J. A. Johnstone, agent.)
- New Plymouth—Courthouse. (J. Terry, agent.)
- Napier—Courthouse. (A. Trimble, agent.)
- Wanganui—Courthouse. (C. A. Barton, agent.)
- Taihape—Courthouse. (W. Baker, agent.)
- Palmerston North—Courthouse. (C. J. Hewlett, agent.)
- Masterton—Courthouse. (M. Foley, agent.)
- Nelson—Courthouse. (E. C. Kelling, agent.)
- Blenheim—Courthouse. (F. W. Hart, agent.)
- Westport—Courthouse. (O. E. Bowling, agent.)
- Greymouth—Courthouse. (E. Harper, agent.)
- Hokitika—Courthouse. (J. N. Nalder, agent.)
- Christchurch—Supreme Court. (W. W. Samson, agent.)
- Ashburton—Courthouse. (J. Fitzgerald, agent.)
- Timaru—Courthouse. (T. W. Taylor, agent.)
- Oamaru—Courthouse. (A. A. Mair, agent.)
- Dunedin—Supreme Court. (T. E. Roberts, agent.)
- Clyde—Courthouse. (F. T. D. Jeffery, agent.)
- Gore—Courthouse. (G. H. Lang, agent.)
- Queenstown—Courthouse. (A. J. Thompson, agent.)
- Invercargill—Courthouse. (J. R. Colyer, agent.)

Office for Registration of Copyright.

THE office for the registration of proprietorship of copyright in Fine Arts and Dramatic Works has been transferred to the Patent Office, Magistrate's Court Building, corner of Lambton Quay and Ballance Street, Wellington.

Patent Agent registered.

Patent Office,
Wellington, 25th August, 1909.

IT is hereby notified that

ROBERT CHRISTOPHER PARK,
of Imperial Buildings, Dowling Street, Dunedin, in the Dominion of New Zealand, has been registered as a Patent Agent.

Despatch. — Industrial Property Convention: Accession of Austria-Hungary.

Department of Justice,
Wellington, 25th August, 1909.

THE following despatch, with enclosures, from His Majesty's Principal Secretary of State for the Colonies, is published for general information.

J. G. FINDLAY.

(New Zealand.—No. 122.)

MY LORD,— Downing Street, 15th June, 1909.
I have the honour to transmit to you, for the information of your Ministers, the accompanying copy of an Order of His Majesty in Council, giving effect in this country to the accession of Austria-Hungary to the Industrial Property Convention of the 20th March, 1883, and to the Additional Act of Brussels of the 14th December, 1900.

17th May, 1909.

I have, &c.,
CREWE.

Governor the Right Hon. Lord Plunket,
K.C.M.G., K.C.V.O., &c.

At the Court at Buckingham Palace, the 17th day of May, 1909.

Present:

THE KING'S MOST EXCELLENT MAJESTY IN COUNCIL.

WHEREAS by section 91 of "The Patents and Designs Act, 1907," it is enacted as follows:—

"91. (1.) If His Majesty is pleased to make any arrangement with the Government of any foreign State for mutual protection of inventions, or designs, or trade marks, then any person who has applied for protection for any invention, design, or trade mark in that State shall be entitled to a patent for his invention, or to registration of his design or trade mark under this Act or 'The Trade Marks Act, 1905,' in priority to other applicants; and the patent or registration shall have the same date as the date of the application in the foreign State. Provided that—

"(a.) The application is made in the case of a patent within twelve months, and in the case of a design within four months, from the application for protection in the foreign State; and

"(b.) Nothing in this section shall entitle the patentee or proprietor of the design or trade mark to recover damages for infringements happening prior to the actual date on which his complete specification is accepted, or his design or trade mark is registered, in this country.

"(2.) The patent granted for the invention or the registration of a design or trade mark shall not be invalidated—

"(a.) In the case of a patent, by reason only of the publication of a description of, or use of, the invention; or

"(b.) In the case of a design, by reason only of the exhibition or use of, or the publication of a description or representation of, the design; or

"(c.) In the case of a trade mark, by reason only of the use of the trade mark in the United Kingdom or the Isle of Man during the period specified in this section as that within which the application may be made.

"(3.) The application for the grant of a patent, or the registration of a design, or the registration of a trade mark under this section must be made in the same manner as an ordinary application under this Act or 'The Trade Marks Act, 1905': provided that—

"(a.) In the case of patents the application shall be accompanied by a complete specification, which, if it is not accepted within the twelve months from the application for protection in the foreign State, shall, with the drawings (if any) be open to public inspection at the expiration of that period; and

"(b.) In the case of trade marks, any trade mark the registration of which has been duly applied for in the country of origin may be registered under 'The Trade Marks Act, 1905.'

"(4.) The provisions of this section shall apply only in the case of those foreign States with respect to which His Majesty by Order in Council declares them to be applicable, and so long only in the case of each State as the Order in Council continues in force with respect to that State.

"(5.) Where it is made to appear to His Majesty that the Legislature of any British possession has made satisfactory provision for the protection of inventions, designs, and trade marks patented or registered in this country, it shall be lawful for His Majesty, by Order in Council, to apply the provisions of this section to that possession, with such variations or additions, if any, as may be stated in the Order."

And whereas by section 103 of "The Patents, Designs, and Trade Marks Act, 1883," as amended by section 6 of "The Patents, Designs, and Trade Marks Act (Amended Act), 1885," and by section 1 of "The Patents Act, 1901," and

since repealed by section 98 of the said "Patents and Designs Act, 1907," provisions were made to the same or like effect as those above set forth as contained in section 91 of the said last-mentioned Act:

And whereas it pleased Her late Majesty Queen Victoria to make an arrangement of the nature contemplated by the said section 103, by and in virtue of a declaration, signed and sealed by Her Majesty's Ambassador at Paris on the 17th day of March, 1884, duly conveying the accession of Great Britain and Ireland to the International Convention and Protocol for the Protection of Industrial Property, signed by representatives of certain Powers on the 20th day of March, 1883, and duly ratified on the 6th day of June, 1884, power being reserved to Her Majesty to accede thereafter to the provisions of the said Convention and Protocol on behalf of the Isle of Man, the Channel Islands, and any of Her Majesty's Possessions, which declaration of accession was duly accepted by the French Government on behalf of the signatory Powers by and in virtue of a Declaration dated the 2nd day of April, 1884:

And whereas on the 14th December, 1900, an additional Act was agreed upon between Her late Majesty Queen Victoria and the Governments of the foreign countries parties thereto for the purpose of modifying certain of the provisions of the said International Convention and the Protocol annexed thereto, the ratifications of which additional Act were duly effected except as regards the Dominican Republic and Servia:

And whereas by various Orders in Council Her late Majesty Queen Victoria and His present Majesty have been pleased to declare that the hereinbefore-mentioned provisions of the said "Patents, Designs and Trade Marks Act, 1883" (as amended), should apply to the several foreign countries named in the said Orders parties to the said Convention and Protocols:

And whereas by section 98 of the said "Patents and Designs Act, 1907," any Convention, Order in Council, rule or table of fees, having effect under any enactment repealed by the said section is to continue in force and is not to be affected by the said section:

And whereas on the 1st day of January, 1909, Austria-Hungary duly acceded to the said International Convention Protocol and Additional Act:

Now, therefore, His Majesty, in pursuance of the powers in him vested by the above-recited provisions, and by and with the advice of His Privy Council, doth declare and it is hereby declared as follows:—

1. The provisions of section 91 of "The Patents and Designs Act, 1907," shall apply to Austria-Hungary.

This Order shall take effect from the 1st day of January, 1909.

A. W. FITZROY.

Applications for Letters Patent filed.

LIST of applications for Letters Patent filed. (Where a complete specification accompanies an application an asterisk is affixed; in all other cases a provisional specification has been lodged. In all cases where the applicant is not the inventor the name of the latter appears in italics after the title. † Denotes an application under the International and Intercolonial Arrangements.)

- No. 26375.—7th August.—A. Gannaway, Wanganui, N.Z.
Letter-copying press.
- No. 26376.—7th August.—F. Lough, Ruapekapeka, N.Z., and W. J. F. Hayter, Hamilton, N.Z.
Ore-treatment.
- No. 26377.—7th August.—G. Heffron, Waikino, N.Z.
Butter cooler and warmer.*
- No. 26378.—5th August.—A. and K. Service, Auckland, N.Z.
Collapsible cardboard box.
- No. 26379.—5th August.—H. W. and W. W. Jones and E. Foote, Auckland, N.Z.
Folding lunch-box.
- No. 26380.—5th August.—H. W. and W. W. Jones and E. Foote, Auckland, N.Z.
Cake-tin.
- No. 26381.—5th August.—C. S. Munro, Kurow, N.Z.
Maintaining heat in bottles.
- No. 26382.—5th August.—Bing, Harris, and Co., Limited, Dunedin, N.Z.
Shoe.* (W. S. Neill and J. Elvidge.)
- No. 26383.—5th August.—J. Mead, Auckland, N.Z.
Show-case fastener.
- No. 26384.—7th August.—H. Quartier, Christchurch, N.Z.
Ticket-printing device.
- No. 26385.—9th August.—C. W. Clayton, Wanganui, N.Z.
Boot and shoe back-seam stay.
- No. 26386.—9th August.—W. T. Taylor, Wellington, N.Z.
Dredging-grab and bucket.
- No. 26387.—9th August.—J. A. Lissington and B. Jeffrey, Palmerston North, N.Z.
Flushing-cistern.*
- No. 26388.—9th August.—F. W. G. Levestam, Wellington, N.Z.
Roofing-nail.

- No. 26389.—9th August.—T. Beckett, Dannevirke, N.Z.
Propelling ships.
- No. 26390.—7th August.—W. G. Mouat, Greymouth, N.Z.
Rope coupling or grip.
- No. 26391.—10th August.—T. Parker, Ironbridge, Eng.
Coal-distillation.
- No. 26392.—10th August.—J. P. Nelson, London, Eng.
Briquette-manufacture.*
- No. 26393.—10th August.—T. N. Fletcher, Thames, N.Z.
Target.
- No. 26394.—10th August.—C. E. McKenzie, Taumarunui,
N.Z.
Acetylene-generator.*
- No. 26395.—10th August.—W. T. Cooper, Christchurch, N.Z.
Collar joint for water-pipes.
- No. 26396.—9th August.—J. S. Dawes, Aramoho, N.Z.
Valve for internal-combustion engine.
- No. 26397.—13th August, 1908.†—N. W. Pill, Newport,
Wales.
Air-carburetter.*
- No. 26398.—11th August.—United Shoe Machinery Company,
Paterson, U.S.A.
Machine for inserting fastenings. (*W. Pratt
and G. Pegg.*)
- No. 26399.—11th August.—United Shoe Machinery Company,
Paterson, U.S.A.
Boot-making machine. (*A. Bates, T. Briggs,
and J. J. Marsh.*)
- No. 26400.—11th August.—United Shoe Machinery Company,
Paterson, U.S.A.
Boot-making machine. (*F. B. Keall, J.
Gouldbourn, and A. E. Jerram.*)
- No. 26401.—11th August.—A. F. Roy, Wellington, N.Z.
Nose-bag.
- No. 26402.—10th August.—H. Fisher, Wellington, N.Z.
Bottle-stopper.
- No. 26403.—11th August.—F. W. Ockerby, Launceston, Tas.
Threshing-machine.
- No. 26404.—10th August.—W. Withell, Brookside, N.Z.
Flying-machine.
- No. 26405.—11th August.—W. E. Jones, Burwood, N.Z.
Incubation of duck-eggs.
- No. 26406.—10th August.—T. Telford, Otanomomo, N.Z.
Flax-stripper.
- No. 26407.—12th August.—O. A. La Point and W. F. Dawson,
Denver, U.S.A.
Concentrator.*
- No. 26408.—12th August.—J. B. de Alzugaray, New York,
U.S.A.
Extracting metals from ores.*
- No. 26409.—12th August.—E. Hannan, Wellington, N.Z.
Lifeboat.*
- No. 26410.—12th August.—W. J. Butler, Auckland, N.Z.
Sewing-machine.*
- No. 26411.—12th August.—P. Erickson, Dannevirke, N.Z.
Soap-manufacture.
- No. 26412.—10th August.—A. L. J. Tait, Dunedin, N.Z.
Flax cutting and bundling machine.
- No. 26413.—13th August.—K. Maitland-Gibson, Brisbane, Q.
Manufacture of oil-gas.
- No. 26414.—9th August.—H. Smart, New Plymouth, N.Z.
Ball valve.
- No. 26415.—11th August.—H. P. Knutzen, Auckland, N.Z.
Airship.
- No. 26416.—13th August.—H. Campbell, Waikawa, N.Z.
Internal combustion engine.
- No. 26417.—13th August.—T. McCaughan, Christchurch,
N.Z.
Bolt for gates, &c.
- No. 26418.—13th August.—H. North, Wellington, N.Z.
Bedstead.
- No. 26419.—13th August.—A. W. Reid, Stratford, N.Z.
Apparatus for creating a vacuum.*
- No. 26420.—14th May.†—T. J. Palmer, Darwen, Eng.
Cornice-moulding.*
- No. 26421.—14th August.—J. T. Hooper, Shannon, N.Z.,
and W. H. Hooper, Clareville, N.Z.
Propelling bicycles.
- No. 26422.—10th August.—E. Brammer, Hikurangi, N.Z.
Electric signal-lamp.
- No. 26423.—14th August.—T. Latham, Gore, N.Z.
Seed grader and cleaner.
- No. 26424.—13th August.—H. Allan, Auckland, N.Z.
Gas cooker.
- No. 26425.—13th August.—H. Dennis and T. Varcoe, Ade-
laide, S.A.
Collapsible box.
- No. 26426.—13th August.—J. N. Griffin, Rewiti, N.Z.
Tram-car brake.
- No. 26427.—16th August.—W. Lyons, Christchurch, N.Z.
Water-raising apparatus.*
- No. 26428.—17th August.—A. Moore, Gapes Valley, N.Z.
Lifebelt.
- No. 26429.—17th August.—J. M. Collins, J. Low, and A.
Burgess, Palmerston North, N.Z.
Water-filter for fibre-washing machine.
- No. 26430.—17th August.—J. M. Collins, J. Low, and A.
Burgess, Palmerston North, N.Z.
Flax-washer.
- No. 26431.—17th August.—H. Fisher, Wellington, N.Z.
Life-saving apparatus.
- No. 26432.—14th August.—R. D. Smith, J. C. Thomson,
and W. Gow, Dunedin, N.Z.
Golf club-head.
- No. 26433.—18th August.—J. Brown, Waihi, N.Z.
Tire cushion and cover.
- No. 26434.—18th August.—L. G. Abrams, Sydney, N.S.W.
Broom or brush. (*H. M. Marsh.*)
- No. 26435.—18th August.—C. Ridley, London, Eng.
Gas-manufacture.*
- No. 26436.—27th August, 1908.†—J. W. Cloud, London,
Eng.
Railway-brake apparatus.*
- No. 26437.—18th August.—F. S. Cooze, Wellington, N.Z.
Ventilator.
- No. 26438.—18th August.—S. Northey and A. L. Bell,
Bethanga Road, Vic.
Pliers.*
- No. 26439.—18th August.—D. Maggiora, London, Eng., and
M. Sinclair, Sutton, Eng.
Phonograph and record.*
- No. 26440.—1st September, 1908.†—A. J. L. Lassen, Copen-
hagen, Denmark.
Stoppering bottles.*
- No. 26441.—18th August.—United Shoe Machinery Com-
pany, Paterson, U.S.A.
Cutting out sheet material. (*A. Bates.*)
- No. 26442.—18th August.—United Shoe Machinery Com-
pany, Paterson, U.S.A.
Press. (*F. Ashworth.*)
- No. 26443.—18th August.—United Shoe Machinery Com-
pany, Paterson, U.S.A.
Press. (*I. C. Buckminster.*)
- No. 26444.—18th August.—United Shoe Machinery Com-
pany, Paterson, U.S.A.
Press. (*L. A. Casgrain.*)
- No. 26445.—18th August.—T. H. B. Gayner, Melbourne, Vic.
Manufacture of inflatable articles.*
- No. 26446.—16th August.—H. Anscome, Dunedin, N.Z.
Hot-water-pipe system.
- No. 26447.—18th August.—C. J. Tattam and H. Clarke,
Benalla, Vic.
Counting-machine.
- No. 26448.—16th August.—G. Walker and C. R. Bell, Tuakau,
N.Z.
Producing alcohol, &c., from flax waste.
- No. 26449.—17th August.—A. Hormann, Invercargill, N.Z.
Artificial minnow.*
- No. 26450.—19th August.—C. D. Hill, Brunswick, Vic., and
H. C. Baquie, N. Carlton, Vic.
Wheel for motor-cars, &c.*
- No. 26451.—20th August.—J. Burgess, Matahuru, N.Z.
Tide-motor.
- No. 26452.—18th August.—J. F. Gunn, New Plymouth,
N.Z.
Clothes-peg.
- No. 26453.—18th August.—H. Williamson, Auckland, N.Z.
Window-fastener.
- No. 26454.—18th August.—H. Williamson, Auckland, N.Z.
Non-refillable bottle.
- No. 26455.—20th August.—Booth, McDonald, and Co.,
Limited, Christchurch, N.Z.
Barrel, &c., lid or cover. (*C. G. Whitaker
and G. Burns.*)
- No. 26456.—20th August.—A. B. Sheath, Napier, N.Z.
Music-teaching apparatus.

Complete Specifications filed after Provisionals.

LIST of complete specifications filed after provisional specifications, from the 6th to the 20th August, 1909, inclusive:—

- No. 25058.—F. Castle, fire-alarm.
- No. 25204.—United Shoe Machinery Company, lasting-machine. (*M. Brook.*)
- No. 25207.—F. Stubbs, draw-off pipe.
- No. 25217.—H. Butterworth, flooring and roadmaking composition.
- No. 25218.—T. R. Clow, windmill.
- No. 25225.—F. Owen, oven-shelf.
- No. 25236.—A. W. Reid, vacuum pump for milking-machine.
- No. 25242.—W. Borlase, motor-cycle driving-gear.
- No. 25279.—W. J. F. Hayter, process for making pottery, &c.
- No. 25389.—H. T. Fletcher, rotary canvas buddle.
- No. 25419.—T. H. Gillman and L. G. Grace, hydraulic vacuum pulsator.
- No. 25578.—W. Duggan, door-closing apparatus.
- No. 25868.—F. T. Kennedy, sash, &c., hanger and holder.
- No. 25956.—J. W. Bates, account-book.
- No. 26186.—M. A. Kinney, animal-trap.

Notice of Acceptance of Complete Specifications.

Patent Office.

Wellington, 25th August, 1909.

COMPLETE specifications relating to the undermentioned applications for Letters Patent have been accepted, and are open to public inspection at this office. Any person may, at any time within two months from the date of this Gazette, give me notice in writing of opposition to the grant of any such patent. Such notice must set forth the particular grounds of objection, and be in duplicate. A fee of 10s. is payable thereon.

No. 24588.—30th June, 1908.—GEORGE HUTCHINSON, of 132A Worcester Street, Christchurch, New Zealand, Inventor. Improvements in weighing-apparatus.*

Extract from Specification.—According to my invention, the pointer is made to indicate weights upon an arc divided into equal parts, whereas in the scales at present in use the divisions are unequal.

[NOTE.—The above extract from the specification is inserted in place of the claims.]

(Specification, 12s. 6d. ; drawing, 4s.)

No. 24816.—20th August, 1908.—RICHARD BELLENGER, The Oaks, New South Wales, Australia. Improvement for prevention of damage to milk-cans, buckets, tubs, and like articles.*

Extract from Specification.—This hoop for milk-cans, tubs, buckets, and like vessels comprises in combination two angle hoops of iron or other material, one of which is inverted, the two flat sides being brought together and attached by rivets, solder, or in other manner.

[NOTE.—The above extract from the specification is inserted in place of the claims.]

(Specification, 1s. 3d. ; drawing, 1s.)

No. 24835.—25th August, 1908.—WILLIAM MCEACHERN, of Rosewood, New South Wales, Australia, Civil Engineer. Improvements in lifting-jacks and the like.*

Extract from Specification.—To use my combined rack and jack its rear is detached and allowed to drop to the ground into oblique position. The vehicle is then pulled back, so that the carrier becomes vertical and raises the wheels. To release the jack from the latter position I move the vehicle forward, and the carrier becomes oblique, ready to be fixed in raised position under the vehicle. The above operations may be performed without removing luggage suitably secured in the carrier. Various oiling-requisites, as a grease-pot or oil-can, and tools and conveniences, as wrenches, washers, harness-dressing, and so forth, may be carried.

[NOTE.—The above extract from the specification is inserted in place of the claims.]

(Specification, 5s. 6d. ; drawing, 1s.)

No. 24868.—1st September, 1908.—MARC RUTTY, of 58 Margaret Street, Sydney, New South Wales, Australia, Merchant (nominee of Maurice Jeantet, of St. Claude, Jura, France, Manufacturer). Improvements in smoking-pipes.*

Claim.—A tobacco-pipe of which the bowl thereof is lined inside with a gauze of a metal, such as copper, nickel, palladium, or a mixture of these metals, substantially as described.

(Specification, 2s. ; drawing, 1s.)

No. 24921.—14th September, 1908.—ROBERT BENJAMIN WILLIAMS, of Winton, Southland, New Zealand, Commission Agent. An improved mop-wringer.*

Claims.—(1.) In mop-wringers of the class described, a perforated tapered receptacle for the mop formed in two halves, a pair of frames to which the halves of the receptacle are respectively attached, an outer frame enclosing the pair of frames, and springs secured between such outer frame and the respective inner frames and serving to press such inner frames together, substantially as specified. (2.) The improved mop-wringer substantially as described and explained, and as illustrated in the drawings.

(Specification, 1s. 9d. ; drawing, 1s.)

No. 24981.—24th September, 1908.—CHARLES GRANT, of Hamilton, New Zealand, Blacksmith. A combined tyne and chain harrow.*

Claim.—My special claim is the couplings: they connect each row of links; and between each row of links the said couplings form tynes, each coupling forming two flexible tynes. These couplings are bent to form two eyes for receiving links of chain, and their ends are formed into tynes. The tynes stand at right angles to body of material forming eyes, also one tyne is set off to the right and one to left, so by this the tynes cut into the ground at an angle of 45° right and left, giving an even pressure so that one tyne does not run clear of the ground and leave the other to do the work. These tynes are all on one side of the harrow, leaving the other side an ordinary chain harrow, so there are two harrows in one.

(Specification, 1s. 6d. ; drawing, 2s.)

No. 24996.—1st October, 1908.—ROBERT JOSEPH WATERS, of Blenheim, New Zealand, Tinsmith. Improved means for fastening fencing-wires to the standards.*

Claims.—(1.) A fastener for attaching fencing-wires to standards formed by a length of wire passing through the standard, with its ends bent in opposite directions upon the opposite sides of such standards, and formed on one end with a hook adapted to encircle the wire and hold it against the edge of the standard, and on the other end with a handle, substantially as specified. (2.) The improved means for fastening fencing-wires to the standards, constructed and operated substantially as described and explained, and as illustrated in the drawings.

(Specification, 2s. 3d. ; drawing, 1s.)

No. 25009.—2nd October, 1908.—THOMAS GAGER, of Hikurangi, New Zealand, Tailor. An improved construction of vessel for storing and drawing off kerosene and other liquids from the cans containing them.*

Claims.—(1.) Means for storing and drawing off kerosene and other liquids from the cans containing them, consisting of a vessel adapted to receive the can and provided with a draw-off cock, a wooden false bottom fitting within such vessel, supports upon such false bottom for holding the can above its surface, and a triangular cutter with chisel edges secured upon the false bottom with its apex projecting upwards above the level of the can-supports, substantially as specified. (2.) The improved means for storing and drawing off kerosene and other liquids from the cans containing them, constructed and operating substantially as described and explained, and as illustrated in the drawings.

(Specification, 3s. 3d. ; drawing, 1s.)

No. 25014.—5th October, 1908.—SAMUEL WRIGHT, of Fair View, Timaru, New Zealand, Farmer. Valveless acetylene-gas generator.*

Extract from Specification.—The generator is water-sealed, and therefore gastight, and as the gas in the holder is drawn off and the holder descends the slotted rod presses down the handle of the water-supply tap H, thus allowing the water from the gas-holder to flow into the generator, and as it reaches the carbide it gives off acetylene gas; this passes into the gas-holder, and, as the holder uses it, closes the water-supply and also lifts the carbide out of the water, thus stopping the supply of gas.

[NOTE.—The above extract from the specification is inserted in place of the claims.]

(Specification, 5s. 6d. ; drawing, 1s.)

No. 25021.—6th October, 1908.—WALTER CARDIFF MEAD, of High Street, Maldon, Victoria, Australia, Mechanic. Improved adjustable handle-bar for cycles.*

Extract from Specification.—The handle-bar according to this invention is preferably constructed of a straight tube made in one length and supported above the ordinary handle-bar pillar-head by radial tubular posts which are secured on the ends of a short tube carried in the T head of the handle-bar pillar and capable of being oscillated therein. Said handle-bar is locked at the desired height or position by means of a screwed friction clutch of novel construction having one end furnished with a handle or hand-wheel, also the handle-bar is furnished at both ends with a novel construction of grip-sleeve. Further means are provided for applying a brake to the front or back wheels from the handle-bar.

[NOTE.—The above extract from the specification is inserted in place of the claims.]

(Specification, 5s. ; drawing, 1s.)

No. 25073.—13th October, 1908.—LAURENCE MCKENZIE McLaurin Monteath, of New Plymouth, New Zealand, Merchant. Improved apparatus for use in the preparation of flax and like fibres.*

Claims.—(1.) In means for treating flax, a funnel arranged beneath a stripper, a spout extension upon the bottom thereof, a perforated water-pipe coil around the inside of its mouth, a pivotal support for the funnel, and means whereby it may be reciprocally rocked upon such support as the flax-blades pass through the stripper and fall through the funnel and spout, substantially as specified. (2.) In means for treating flax, a pivoted funnel having a spout extension and a perforated-pipe coil around the funnel-mouth, a pivoted lever connected with such funnel, a cylinder, a piston within the cylinder provided with a piston-rod having a cross-head adapted to engage with the lever as it moves out and in and to alternately raise and depress such lever, and means whereby the movements of the piston and piston-rod may be made to synchronize with the passing of flax-blades through a stripper and through the funnel and spout, substantially as specified.

[NOTE.—Here follow three other claims.]

(Specification, 6s. 6d. ; drawing, 1s.)

No. 25312.—11th December, 1907.—CHARLES VERNON Boys, F.R.S., of 66 Victoria Street, Westminster, London, S.W., England, Metropolitan Gas Referee, and JOHN WILBUR TIERNEY, of "Ashtree," Beulah Hill, London, S.E., England, Engineer. Improved means for producing rapid reciprocating motion.

[NOTE.—This is an application under the International and Inter-colonial Arrangements, the date given being the official date of the application in Great Britain.]

Claims.—(1.) A method or means for producing rapidly reciprocating motion of a heavy body from which little external work is required, which consists in connecting said heavy body by an elastic-fluid spring to a heavy body, free in the direction of reciprocation or elastically held, setting up reciprocation of the system and maintaining reciprocation by making up the energy-losses. (2.) Means for producing rapidly reciprocating motion of a heavy body consisting of an elastic-fluid spring in the form of a cylinder closed at both ends and elastically held, having a piston to which the heavy body to be reciprocated is attached, together with means for keeping up the extent of reciprocation, substantially as described.

[NOTE.—Here follow four other claims.]

(Specification, 17s. 6d. ; drawing, 5s.)

No. 25393.—29th December, 1908.—JOSEPH HOPKIRK, of Hawera, New Zealand, Engineer. Improvements in apparatus for agitating milk, curd, and the like.*

Claims.—(1.) The rake-shaped vanes or beaters with flat prongs curved forward towards the bottom, substantially as illustrated and for the purposes mentioned. (2.) The rake-shaped vanes or beaters with flat prongs and without being curved for the purposes mentioned. (3.) The rake-shaped beaters or vanes with flat prongs without being curved, fastened to the supporting-rod at an angle so that the bottom will project forward in the direction of rotation.

(Specification, 2s. 6d. ; drawing, 1s.)

No. 25426.—6th January, 1909.—ROBERT MARSHALL SMITH, of Coal Creek Flat, Roxburgh, New Zealand, Inventor. Improved resilient wheel.

Extract from Specification.—I make the boss and the portion of the spokes attached to it of usual construction, but instead of the said spokes extending to the rim direct they are branched out so as to be somewhat "Y" shape, only the said branched portion of the said spokes is curved, thus giving the whole a springy construction, and also the said curved ends of the spoke touch the rim in two places, instead of one as usual.

[NOTE.—The above extract from the specification is inserted in place of the claims.]

(Specification, 2s. 6d. ; drawing, 1s.)

No. 25749.—27th March, 1909.—EMMA ARNOLD, Auckland, New Zealand, Nurse. Improvements in building-construction for the purpose of ventilation.*

Claim.—A space left open in buildings for the purposes described at the top of partitions to be nicely filled with open woodwork or other material as described to allow an influx and outflux of air for the purpose described, lined at the back with butter-muslin each side, and protected from gales or storms with an awning or board fastened as described and worked from the inside to open or shut when desired. Apartments to be divided as described where necessary.

(Specification, 1s. 6d. ; drawing, 1s.)

No. 25785.—4th November, 1908.—CHARLES RYAN, of Redan Street, Mosman, Sydney, New South Wales, Australia, temporarily residing at No. 5 Cowley Mansions, Cowley Road, Brixton, London, England, Teacher of Shorthand and Typewriting. An improved detachable shirt-collar.

[NOTE.—This is an application under the International and Inter-colonial Arrangements, the date given being the official date of the application in Great Britain.]

Claim.—In detachable shirt-collars (double or turnover), substituting for the front overlapping stud-hole in the inner band an inverted V-shaped cut or incision, for the purpose substantially as set forth, and as shown in the drawings.

(Specification, 3s. ; drawing, 1s.)

No. 26078.—16th June, 1909.—GEORGE HENRY DUNLOP, of 20 Robinson's Road, Auburn, Victoria, Australia, Civil Engineer. Excavating machinery.

Extract from Specification.—The excavating machinery the subject of this invention comprises a scoop, three ropes for operating the scoop, means for transporting the scoop, and operative mechanism. The scoop has a cutting-edge, or mouth, at which it is filled, and a bowl for holding the material filled into it. Of the three ropes for operating the scoop, the mainhaul rope is attached to the scoop near the mouth, and is used mainly for filling the scoop; the tipping rope is attached to the scoop near the top or the back, and is used mainly for tilting or rotating the scoop when filling and dumping; and the hoist-conveying rope is connected to the scoop by a bail or bridle, in which the scoop is pivotally or rotatably mounted, and this rope is used to hoist the scoop and to carry it when hoisted for conveying as desired. The means for transporting the scoop consists either of a crane with swinging jib, or of a conveyor, which may be either a cable-way or a bridge conveyor, having in either case the usual carriage up to which the scoop is hoisted and from which it is suspended during transport.

[NOTE.—The above extract from the specification is inserted in place of the claims.]

(Specification, 10s. ; drawing, 1s.)

No. 26116.—23rd June, 1909.—THOMAS QUINLIVAN, of Willow Spring, Coghill's Creek, Victoria, Australia, Farmer. Improvements in traction-engines, motor-cars, and other like self-propelled vehicles.

Extract from Specification.—Providing improved means of transmitting power from one pair of wheels to the other pair, consisting of a universal joint in the frame in combination with a universal joint in the longitudinal driving-shaft. When applied to a road-locomotive or traction-engine, I also provide improved steering-mechanism for operating the front framework, which is actuated by the driving-power of the engine, while in addition I provide means for carrying the water for the boiler within the road-wheels.

[NOTE.—The above extract from the specification is inserted in place of the claims.]

(Specification, 15s. 6d. ; drawing, 4s.)

No. 26126.—22nd June, 1909.—DOMINICK HAGARTY, of Auckland, New Zealand, Locomotive Engineer. An improved self-propelled multiple-furrow plough and earth-working machine.

Claims.—(1.) The improved self-propelled multiple-furrow plough and earth-working machine specified, consisting of, in combination, oil or other power engines, mounted on a platform and framing, the motive power of such engines

being transmitted to wide-flanged driving-wheels by means of speed-gearing contained within a gear-box, friction-clutches, sprocket-wheels, and chains, said wide-flanged driving-wheels being connected to front wheels by means of connecting-rods, ploughs or suchlike implements being mounted on frames, said frames working in grooves or slots, said speed-gearing, friction-clutches, and frames being operated by levers, bevel wheels, hand-levers, connecting-links, and control-wheel; the machine having steering-wheels operated by means of a hand-wheel; said steering-wheels, driving-wheels, and front wheels being mounted, if desired, on springs, all for the purpose and in the manner as described and illustrated. (2.) In the improved self-propelled multiple-furrow plough and earth-working machine, the ploughs or other like agricultural implements attached to frames, which are operated in the manner and for the purpose as described and illustrated.

(Specification, 5s. 3d.; drawing, 3s.)

No. 26161.—29th June, 1909.—HENRY FOX CHAFFEY, of Christchurch, New Zealand, Agent. An improved construction of kettle or other receptacle for heating liquids.

Claims.—(1.) A receptacle for heating liquids, comprising an outer shell, a flue-tube passing concentrically through the entire length thereof, and a ring-shaped bottom uniting the lower ends of the shell and the flue-tube so as to form an annular space in which the liquid is contained, substantially as and for the purpose set forth. (2.) The improved construction of kettle or other receptacle for heating liquids, constructed, arranged, and operating substantially as described and explained, and as illustrated in the drawings.

(Specification, 1s. 9d.; drawing, 1s.)

No. 26165.—30th June, 1909.—PERCIVAL THOMAS WHITE, of Central Avenue, Maylands, near Perth, Western Australia, Plumber, and GEORGE ROBERTSON, of 1304 Hay Street, Perth aforesaid, Ironmonger. Tilting-appliance for emptying kerosene-cans and other vessels.

Extract from Specification.—The appliance consists of a flat-tray-shaped decanter having the forward portion of its bottom made of a cambered or inclined shape so as to permit of the tilt action. The tray is formed with one or more spears or spikes, whose duty is to make entry into the can when same is placed in the tray, and so allow of the outflow of the released liquid.

[NOTE.—The above extract from the specification is inserted in place of the claims.]

(Specification, 4s. 6d.; drawing, 1s.)

No. 26185.—3rd July, 1909.—NORMAN SINCLAIR MCNAB, of Waiora Road, Caulfield, Victoria, Australia, Electrical and Mechanical Engineer. Improvements in machines for voting, registering, and tabulating.

Extract from Specification.—The voter's duty will be to move a pointer 1 till it is opposite to the name of the candidate he chooses, in the order of his preference, and to press or move a lever 2 for the person being voted for when the pointer indicates that person in each case. Actuating the lever or other accessible part of the machine by attempt at trickery will not duplicate a vote or otherwise record one wrongly. An indicator 3a at aperture 3 in each section shows the voter how many votes he has at first to give, and shows him from time to time how many he must still cast in whatever section he has not so far finished voting. Each section (the Senate will be a section, for example) is (or may be) locked against him as soon as his complete vote (or votes) therein has (or have) been recorded. When the recording of the full number of votes he is required to cast is effected, the word "Finished," or the character "0," or any predetermined intimation, appears before him at aperture 3 in Fig. 1, and the machine becomes (or may be) locked against further voting by him, and a bell rings. The vote-indicators 4, which become visible opposite the candidate's name in Fig. 1, showing the voter the progress of his vote in each section of the same, disappear on the resetting of the machine ready for the next voter, and no information of the vote can be seen by said next or any other elector. The machine will show (1) the total number of voters, (2) the total first-choice votes given each candidate, (3) each individual vote, showing the voter's preferences as in Figs. 16,

17, 18, 19. The latter is recorded (within the casing) on paper permanently, and thus allows recounting, for transfer of "excess" votes to other candidates, or other purposes. The machine will show, when required, vote-totals under present methods of national, State, and other elections. This is done by making a simple adjustment as by loosening a thumbscrew 25 in Fig. 4 from a slide-rod 6 and connecting a catch 7. In that case it will show (1) the total number of voters, (2) the total votes given each candidate, and (3) each vote on paper—preserving secrecy of ballot if required—for recount or other purposes. The machine works also where a limited preferential voting system is in force—that is, where a smaller number of preferences is to be indicated than there are candidates; such limitation enabling a cheaper, lighter, and smaller machine to be used.

[NOTE.—The above extract from the specification is inserted in place of the claims.]

(Specification, £1 15s.; drawing, 7s.)

No. 26191.—7th July, 1909.—JAMES THOMAS HUNTER, of Queen's Chambers, Wellington, New Zealand, Patent Agent (nominee of Linotype and Machinery, Limited, of 188-189 Fleet Street, London, England—assignees of Herbert Pearce and John Ernest Billington, both of Linotype and Machinery Works, Broadheath, Chester, England, Engineers). Improvements in typographical composing and casting machines.

Extract from Specification.—This invention relates to typographical composing and casting machines, particularly those known as linotype machines, and more especially to those linotype machines which are provided with both a number of superposed magazines, and means whereby by a single adjustment or operation on the part of the operator an operative substitution of the magazines can be effected simultaneously with a change which, when such substitution calls for it, will cause the linotypes next cast to have a greater or less body-dimension than that cast immediately before the said adjustment. The present invention, among other things, comprises means whereby the linotype trimming-knives may be automatically adjusted correspondingly with the above-named change of body-dimension, and improved means for pushing upwards the matrices in the magazines.

[NOTE.—The above extract from the specification is inserted in place of the claims.]

(Specification, £1 3s.; drawing, 4s.)

No. 26192.—7th July, 1909.—ARTHUR WILLIAM WALL, of Roc Motor-works, Aston Road, Birmingham, England, Engineer. Improvements in or relating to motor attachments for velocipedes.

Claims.—(1.) A tractor adapted for attachment to a bicycle, and which embodies an auxiliary wheel by which the driving-motor and its accessories are carried, the said auxiliary wheel being adapted to be used as a third wheel to the bicycle in such a manner that the steering and inclination characteristics of the latter are preserved. (2.) A tractor having a motor-driven auxiliary wheel which is adapted for attachment as a third wheel to a bicycle in such a manner that the bicycle wheel and the auxiliary wheel are each capable of an independent up-and-down movement, throughout which movement the said wheels are maintained in parallelism. (3.) A tractor having an auxiliary wheel which may be attached to a bicycle to propel the latter, and which carries the driving-motor and its accessories, the said tractor being articulated to the bicycle or a part carried thereby in such a manner that the pivot of articulation is coaxial with or parallel to the spindle of the rear wheel of the bicycle. (4.) In a tractor having a motor-driven auxiliary wheel and means for attaching same as a third wheel to a bicycle, a sliding-connection whereby the tractor is enabled to move in a plane parallel to that of the main wheel. (5.) In a tractor having an auxiliary wheel which carries a driving-motor and its accessories, and which may be attached to a bicycle to propel the latter, an arm extending horizontally from the tractor in a direction parallel to the length of the bicycle, the said arm being jointed to the bicycle-frame, or a part carried thereby, in such a manner that the auxiliary wheel is enabled to freely move in a plane parallel to that of the rear wheel of the bicycle. (6.) A motor attachment for a bicycle, substantially as set forth or illustrated.

(Specification, 10s.; drawing, 5s.)

No 26193.—7th July, 1909.—ALEXANDER ESPLEN, of 9 Rumford Street, Liverpool, England, Consulting Engineer. An improved firebar.

Claims.—(1.) A fire-furnace bar provided with upwardly projecting parts *e* at the back end of same, and above the portions *f*, upon which said bars are supported, substantially as set forth. (2.) A grooved firebar having a central rib as *d* projecting up from the bottom of the groove *b* for a portion of its depth—say, about half—and adapted to act as a continuous support for the tool used in the furnace for cleaning such bars, and to thereby enable it to get under the clinkers which sag down into the groove *b* to a certain depth, while at the same time prevents said tool from being thrust down into the bottom of the groove *b*, substantially as set forth. (3.) In or for a furnace-grate, firebars formed with grooves *b* at their upper faces, and having at their back ends upwardly projecting or inclined parts *e* extending up from same in front of the end-supporting parts *f*, as set forth and shown.

(Specification, 5s.; drawing, 1s.)

No. 26196.—7th July, 1909.—ERNEST ORSON CARTWRIGHT, of Springfield, Ohio, United States of America, Manufacturer. Improvements in printing-presses.

Extract from Specification.—This invention relates to printing-presses, and more particularly to what are known as platen presses, and the objects of the invention are—first, to construct a platen printing-press which may be readily converted from a continuous or automatically fed press into a hand-fed press; second, to embody such a construction in a horizontally reciprocating press in which the platen is normally in a fixed position and lies in the same horizontal plane with the form-bed, the form-bed reciprocating in a horizontal plane towards and away from the platen; and, further, to so improve the operating-mechanism and the details of construction of the machine as to improve the operation of the machine and render the same more accurate.

[NOTE.—The above extract from the specification is inserted in place of the claims.]

(Specification, £1; drawing, 6s.)

No. 26197.—7th July, 1909.—ERNEST ORSON CARTWRIGHT, of Springfield, Ohio, United States of America, Manufacturer. Improvements in printing-presses.

Extract from Specification.—This invention relates to printing-presses, and more particularly to that class of printing-presses known as platen presses. The invention has for its object to provide a construction whereby a platen press may be produced which will be simple and very compact, in which the impression will be firm and uniform, which will be rapid in its operation, and which will be adapted for use in connection with either an automatic sheet-feed or an automatic roll-feed without requiring any alterations in the other portions of the press. To these and other ends my invention consists in certain novel features which I will now proceed to describe, and will then particularly point out in the claims.

[NOTE.—The above extract from the specification is inserted in place of the claims.]

(Specification, £1; drawing, 4s.)

No. 26198.—7th July, 1909.—WILLIAM HENRY HENNAH and AUGUST KERR WAITANGI RISSEL, both of Wellington, New Zealand. Improved means for indicating a ship's deviations from its course.

Extract from Specification.—The means designed for this purpose depend for their action upon the swing of a compass-card relatively to the compass-bowl and vessel when the ship's course alters—or, in other words, to the movement of the compass-bowl round the compass-card as the vessel alters her course. This movement of the compass-bowl is used to close one or other of two electric circuits that are both open when the card is in a central position, but which, as the bowl moves around towards one side or other, will close the corresponding circuit in a manner already well known in connection with this class of appliance. In this invention each of these circuits when closed is arranged to actuate a relay by means of which a separate secondary magnetic circuit is completed. The completion of either of these magnetic circuits causes a stylus, or other like device, to move transversely across a rotating or travelling strip of paper to one side or the other of a central line drawn along it,

B

and in a direction corresponding to the movement of the ship from the course. The movement of this stylus for a predetermined distance in either direction is adapted to close an alarm circuit, and thereby to notify those interested that the ship has swung from its course.

[NOTE.—The above extract from the specification is inserted in place of the claims.]

(Specification, 7s.; drawing, 1s.)

No. 26199.—7th July, 1909.—WILLIAM HENRY HENNAH and AUGUST KERR WAITANGI RISSEL, both of Wellington, New Zealand. Improved means for recording and gauging a ship's deviations from its course.

Extract from Specification.—The invention depends for its action upon the movements of the compass-bowl of a mariner's compass in relation to the compass-card as the vessel alters its course to one side or other. This movement of the compass-bowl is utilised to proportionately vary the strength of two electric circuits arranged in conjunction with the compass, which circuits are normally of equal strength, and thereby to deflect a recording-stylus a corresponding amount from a central position upon a travelling record-strip. The record-strip is caused to travel at a regular rate of speed, so that, the speed of the vessel being known and the angle of deviation from its course and the time during which such deviation has extended being recorded, the exact position of a ship from its known starting-point may be indicated upon a chart.

[NOTE.—The above extract from the specification is inserted in place of the claims.]

(Specification, 8s.; drawing, 1s.)

No. 26202.—5th July, 1909.—GEORGE HAROLD ROBINSON, of Christchurch, New Zealand, Inventor. Improved construction of self-locking cabinet.

Claims.—(1.) An article of the class described characterized by a box having its top and side hinged in such a manner as to form doors adapted when closed to come together at their outer edges, springs for keeping the doors normally open, a lever adapted to engage with a lug upon the lower edge of the top door, a spring for keeping the lever in the engaged position, and means for operating the lever from the outside of the box, substantially as described, and illustrated in the drawings. (2.) The improved construction of self-locking cabinet constructed, arranged, and operating substantially as described and explained, and as illustrated in the drawings.

(Specification, 3s.; drawing, 1s.)

No. 26207.—3rd August, 1908.—GEORGE WILLIAM BERRY, of 601 Mount Alexander Road, Moonee Ponds, Victoria, Australia, Mechanic. Improvements in closets.

[NOTE.—This is an application under the International and Intercolonial Arrangements, the date given being the official date of the application in Australia.]

Extract from Specification.—According to this invention the receiving-platter normally lies in an inclined plane with the clean surface always exposed except when in actual use, and automatic means are provided for delivering at each operation a predetermined quantity of liquid disinfectant upon said platter.

[NOTE.—The above extract from the specification is inserted in place of the claims.]

(Specification, 8s.; drawing, 2s.)

No. 26226.—8th July, 1909.—ARCHIBALD BENNET, Farmer, and WILLIAM BENNET, Inventor, both of Mornington, Dunedin, New Zealand. Free wheel cutter, for cross-cutting ploughed land.

Claims.—(1.) In cutting up or cross-cutting ground after ploughing, a cutting-wheel having cutting-blades mounted on a suitable frame as an idle wheel, and forced into the ground, the said blades cutting same, all substantially as set forth. (2.) In cutting up or cross-cutting the sod that is being turned by a plough, and in combination with said plough, a wheel mounted as an idle wheel and furnished with blades operating on said sod as it is being lifted and turned, cutting same across, all substantially as shown on the drawing,

and as described and explained. (3.) In cutting up the sod from a plough as it is being raised and turned over, an idle wheel clipped by adjusting-clips through a frame to the beam of the plough, one behind each ploughshare, said wheel being furnished with cutting-blades suitable for the class of ground to be broken up, all substantially as set forth.

(Specification, 2s. 6d. ; drawing, 1s.)

No. 26230.—13th July, 1909.—MICHAEL HURLEY, of 54 Gordon Street, Sydenham, Christchurch, New Zealand, Gardener. An improved potato-planter.

Claims.—(1.) A potato-planter comprising a blade flanked by the sides rising perpendicularly from the blade and approximately parallel to each other, the lower edges of the sides and blade being sharpened to enter the ground readily, a socket upon the blade, and a handle secured within the socket, substantially as set forth. (2.) The combination and arrangement of parts comprising an improved potato-planter, substantially as set forth and illustrated in the drawing.

(Specification, 2s. ; drawing, 1s.)

No. 26239.—14th July, 1909.—GUSTAVUS ADOLPHUS SHEELEY, of Roslyn House, 116 Marshall Street, Johannesburg, Transvaal, Engineer, and EDWIN ANDRE TOMLINSON, of 132 Marshall Street, aforesaid, Millwright. Improvements in the linings of tube and similar attrition mills.

Extract from Specification.—In accordance with my invention, the lining is made or built up of segments or blocks of convenient size, preferably shaped on the one side to fit the cylindrical shell of the mill. These blocks, which may be made of any suitable cement or cementitious material, constitute a matrix or body in which are partially imbedded posts or pegs which project beyond the inner surface of the matrix or body, and serve to retain between them, when the mill is in operation, pebbles or other free bodies (when such are employed), waste rock or pieces of the charge, thereby protecting the matrix or body from excessive wear.

[NOTE.—The above extract from the specification is inserted in place of the claims.]

(Specification, 9s. 6d. ; drawing, 2s.)

No. 26248.—19th July, 1909.—JOHN HUTCHINGS, of Capel House, 62 New Broad Street, London, England, Mining and Mechanical Engineer. Improvements in and relating to direct-acting pumping-machinery.

Extract from Specification.—According to the invention, an improved construction of valve and valve mechanism, which serve to control simultaneously the fluid to be driven and the motive fluid, are employed to direct said fluids into an improved arrangement of channels or passages adapted to serve alternately as admission or exhaust or delivery ways to and from the cylinders for the motive and the driven fluids respectively. A common source of supply of lubricant is provided, and the general construction and arrangement of the pump is such that the whole of the reciprocating and other moving parts are totally enclosed.

[NOTE.—The above extract from the specification is inserted in place of the claims.]

(Specification, 7s. 6d. ; drawing, 4s.)

No. 26249.—22nd July, 1908.—JOHN CHARLES SNELLING, of 6 Crusoe Road, Mitcham, Surrey, England, Concrete-slab-manufacturers' Foreman. An improved machine for producing slabs for building purposes.

[NOTE.—This is an application under the International and Inter-colonial Arrangements, the date given being the official date of the application in Great Britain.]

Claims.—(1.) An improved machine for producing slabs for building purposes, comprising a mould including side portions and a stretcher-board carried on a stand or frame, a hopper above said mould, a cut-off adapted to be inserted between the hopper and the mould, a stock fitted with pegs or cores for compressing the material within the mould, and a ram for ejecting the finished slab, substantially as described.

[NOTE.—Here follow five other claims.]

(Specification, 5s. ; drawing, 2s.)

No. 26268.—22nd July, 1909.—AUSTRALIAN REVERSIBLE DELIVERY LABEL COMPANY PROPRIETARY, LIMITED, whose registered office is at Commercial Union Buildings, 413 Collins Street, Melbourne, Victoria, Australia (assignees of John Gavan Reilly, of the Post-office, Shepparton, Victoria aforesaid). Improved mail-bag and delivery label.

Claims.—(1.) An improved label consisting in the combination of two plates of circular or other form pivoted together at their centre, having the requisite matter stamped, printed, or engraved on them, and openings in the upper plate to expose the requisite matter on the under plate, and means for setting and securing the two plates together at the requisite position, and to secure them to the package or article to be forwarded or returned, substantially as described and shown in Figs. 1, 2, and 3.

[NOTE.—Here follow four other claims.]

(Specification, 5s. 6d. ; drawing, 1s.)

No. 26409.—12th August, 1909.—EDMUND HANNAN, of 11 Franklin Avenue, Nairn Street, Wellington, New Zealand, Carpenter. An improved lifeboat or raft.

Claims.—(1.) A lifeboat or raft having a sliding adjustable floor and means for regulating its movements, substantially as described, and as illustrated in the drawings. (2.) A lifeboat or raft having a sliding adjustable floor, rods forming guides for the floor, and supports or connections for the cross-pieces forming seats and floor-stops, substantially as described, and as illustrated in the drawings. (3.) In a lifeboat or raft having a sliding-floor as claimed in claims 1 and 2, a compartment or locker in the middle of the floor having a door at both top and bottom of the floor, substantially as described, and as illustrated in the drawings. (4.) A lifeboat or raft having a perpendicular automatic sliding-centreboard with a weighted stop at each end, substantially as described and illustrated. (5.) A lifeboat or raft having a rudder sliding automatically and perpendicularly on a gudgeon, substantially as described and illustrated. (6.) In a lifeboat or raft, a catch or hook, with a pivot or hinge in the hook proper, held in position by a weighted bar or lever, and released by a trip-line, substantially as described, and as illustrated in the drawings. (7.) A lifeboat or raft constructed, combined, arranged, and operating substantially as described, and as illustrated in the drawings.

(Specification, 5s. ; drawing, 1s.)

An asterisk (*) denotes the complete specification of an invention for which a provisional specification has been already lodged.

NOTE.—The cost of copying the specification and drawing has been inserted after the notice of each application. An order for a copy or copies should be accompanied by a post-office order or postal note for the cost of copying.

The date of acceptance of each application is given after the number.

Extracts from the drawings accompanying the foregoing complete specifications appear at the end of this *Gazette*.

J. C. LEWIS,

Registrar.

Provisional Specifications accepted.

Patent Office,

Wellington, 25th August, 1909.

APPLICATIONS for Letters Patent, with provisional specifications, have been accepted as under:—

- No. 25927.—W. A. Ross, decanting liquids.
- No. 25985.—J. H. Hutchinson, merchandise-transporter.
- No. 26144.—W. Keymer and F. Parsons, gas-oven boiler.
- No. 26174.—W. Duggan, jun., door-closer.
- No. 26218.—H. Irwin, poultry nest-box.
- No. 26220.—J. F. Macallister, milk-jug cover.
- No. 26247.—H. A. Cutmore, telephone mouthpiece closure.
- No. 26252.—H. North, bedstead.
- No. 26262.—A. C. Murray, ironing-table.
- No. 26266.—W. S. Ramson, strap for holding child in chair.
- No. 26273.—E. Potts, tool-grinder.
- No. 26276.—W. T. Taylor, dredge-bucket.
- No. 26277.—J. Deegan, lock for differential gear.
- No. 26278.—E. C. Austin, tire-valve.
- No. 26279.—G. Lewis, joining plaster slabs.
- No. 26280.—C. Suttie and M. H. Wynyard, flax-catcher.
- No. 26289.—H. Ancombe, water-heater.
- No. 26290.—J. M. Taylor and H. Oakley, snowboard.
- No. 26292.—W. E. Holden, advertisement-displayer.

- No. 26293.—M. A. Sinclair, plate-warmer.
- No. 26294.—E. J. Chilton, flushing-cistern.
- No. 26298.—J. H. and D. M. Cook, hames.
- No. 26299.—W. T. Taylor, dredge-bucket.
- No. 26301.—W. T. Buckland, cycle driving gear.
- No. 26302.—W. T. Buckland, brake-block.
- No. 26303.—W. Weir, clothes-washer.
- No. 26307.—E. Hayes, windmill.
- No. 26308.—A. H. Wright, advertisement-displayer.
- No. 26309.—W. F. Remus, aeroplane.
- No. 26311.—H. Hardcastle, blowing soap bubbles.
- No. 26314.—J. Bate and H. F. McLeod, metal, &c., extraction.
- No. 26315.—C. J. Wilkinson, trolley-head controller.
- No. 26316.—E. Fisher, tie-fastener.
- No. 26317.—H. J. Spencer, heat-radiator.
- No. 26318.—J. Edwards and W. G. Bowden, boiler feed-pump.
- No. 26321.—E. Kibblewhite and J. Stempa, swingletree-mountings.
- No. 26322.—F. J. Grogan, trotting-sulky.
- No. 26328.—J. Ellis, game.
- No. 26329.—G. Walker and C. R. Bell, extraction of alcohol from flaxmill waste.
- No. 26331.—W. G. Hancox, floor-polisher.
- No. 26332.—W. H. Fitchett, removable cycle handle-bars.
- No. 26336.—H. Irwin, edge-cutter for lawns.
- No. 26338.—T. B. Longstaff, oven.
- No. 26339.—D. Armishaw, flying-machine.
- No. 26340.—S. McDonald, aeroplane.
- No. 26344.—F. F. Fisher, letter-cover for letter-carriers.
- No. 26355.—R. Dunne and A. J. Park, mitre-box.
- No. 26357.—F. Harbottle, target.
- No. 26358.—A. H. Schmidt, wire-link machine.
- No. 26361.—P. H. Pritchett, plough for burying turf.
- No. 26369.—A. C. Dennes, billiard-marking register.
- No. 26371.—R. Dunne and A. J. Park, mitre-box and cramp.
- No. 26380.—H. W. and W. W. Jones and E. Foote, cake-tin.
- No. 26386.—W. T. Taylor, dredge-bucket.

[NOTE.—Provisional specifications cannot be inspected, or their contents made known by this office in any way, until the complete specifications in connection therewith have been accepted.]

Letters Patent sealed.

LIST of Letters Patent sealed from the 7th to the 20th August, 1909, inclusive:—

- No. 23982.—W. Chalmers, forced-feed lubricator.
- No. 24316.—I. F. Taylor and S. Pick, fire-escape crane.
- No. 24321.—H. G. Nichols, slimes-treatment and liquid-separation.
- No. 24325.—United Shoe Machinery Company, boot-machine. (R. F. McFeely.)
- No. 24326.—United Shoe Machinery Company, boot-machine. (R. F. McFeely.)
- No. 24328.—United Shoe Machinery Company, boot-machine. (A. Bates.)
- No. 24329.—United Shoe Machinery Company, fastener-inserting machine. (G. Goddu.)
- No. 24330.—United Shoe Machinery Company, insole-machine. (J. Cavanagh, jun.)
- No. 24387.—H. Blythe and A. McLuskie, ointment for skin-disease.
- No. 24455.—E. Schonberg, grinding or crushing machine.
- No. 24508.—J. Patchett, threshing-machine feed.
- No. 24518.—F. W. Noffke, saw-set.
- No. 24540.—Henry S. Spackman Engineering Company, plastic composition, &c. (H. S. Spackman and E. W. Lazell.)
- No. 24624.—F. Castle, fire-alarm.
- No. 24894.—J. H. Tink, wire-strainer.
- No. 25110.—Henry Simon, Limited, flour milling and conditioning. (L. M. Thomas.)
- No. 25170.—C. B. Whitney, faucet.
- No. 25174.—Anne of Lowenstein-Wertheim, self-levelling cot.
- No. 25289.—H. E. D. Merry, rock-drill feed-screw.
- No. 25313.—H. C. Forrest, bottle-washing rack.
- No. 25427.—F. H. Crittall, expanded-metal manufacture.
- No. 25428.—Imperial Writing Machine Company, Limited, typewriter. (C. W. and G. W. Davis.)
- No. 25462.—K. W. Hedges, gas-stove.
- No. 25550.—R. Adams, filter.
- No. 25607.—F. Davison, fly-proof screen.
- No. 25714.—J. Blake, milking-machine teat-cup.

- No. 25725.—T. Wallace, brick-drying.
- No. 25777.—J. H. Hutchinson, lathe-slide.
- No. 25799.—T. L. Green, sheeter or bar machine.
- No. 25800.—T. L. Green, wire cut soft-cake machine.
- No. 25802.—G. H. Pedlar, metallic shingle.
- No. 25803.—G. W. Midson, aerated-water bottle.
- No. 25808.—H. Forrest and W. L. Davis, non-refillable bottle.

Letters Patent on which Fees have been paid.

[NOTE.—The dates are those of the payments.]

SECOND-TERM FEES.

- No. 19903.—W. E. Sargood, boot. 18th August.
- No. 19923.—E. J. Forbes, dovetail-mortise cutter. (F. A. Winter.) 12th August.
- No. 19924.—Bram Patent Switch Company, Limited, operating street-railway switch. (W. H. Braim.) 12th August.
- No. 19926.—G. Lindsey, cask, &c., filler. 18th August.
- No. 19942.—Automatic Filters, Limited, water-filter. (J. C. Barker.) 11th August.
- No. 19976.—W. Kennedy, automatic plough-lift. 18th August.
- No. 19996.—G. Griffiths, wheel-bearings, &c. 14th August.
- No. 20002.—Humphries Patent Bracket and Scaffold Company, Limited, scaffolding-bracket. (G. E. Humphries.) 16th August.
- No. 20038.—E. P. Andreas, acetylene-gas generator. 18th August.
- No. 20080.—International Cigar Machinery Company, cigar-machinery. (O. Tyberg, W. S. Luckett, L. Lake, H. Knight, and F. Herrington.) 14th August.
- No. 20141.—Mergenthaler Linotype Company, monoline composing-machine. (J. McNamara.) 18th August.
- No. 20250.—J. T. Steele, loose-leaf account-book. 18th August.
- No. 21732.—Linotype and Machinery, Limited, linotype-machine. (W. H. Scharf.) 18th August.
- No. 21783.—Linotype and Machinery Limited, linotype-machine. (W. H. Scharf.) 18th August.

THIRD-TERM FEES.

- No. 14888.—F. Klepetko and W. J. Evans, roasting-furnace. 20th August.
- No. 15249.—The United Cigarette Machine Company, Limited, cigarette-machine. (F. J. Ludington.) 14th August.
- No. 15286.—W. H. Humble, gas-compressor valve. 18th August.
- No. 15312.—Plaissetty Mantle Syndicate, Limited, incandescent-filament mantle. (J. T. Hunter—A. M. Plaissetty.) 10th August.
- No. 15351.—Hon. C. A. Parsons, turbine. 11th August.

Subsequent Proprietors, &c., of Letters Patent registered.

[NOTE.—The name of the former proprietor is given in brackets; the date is that of registration.]

- No. 14168.—Thomas Firth Crompton and William Robert Crompton, of Tuam Street, Christchurch, New Zealand, trading as "Crompton and Son," registered as proprietors so far as the Provincial District of Canterbury is concerned. Spouting-bracket. (H. E. White—J. W. and S. Hardley.) 10th August, 1909.
- No. 17982.—The Blackwater Mines, Limited, a company duly incorporated, and having its head office at 20 Copthall Avenue, London, England, and its mining property at Blackwater, near Reefton, in New Zealand, and branch office at Reefton aforesaid, registered as licensees upon the terms and conditions set out in deed. Circulating and mixing crushed ore. (F. C. Brown and S. D. McMiken.) 9th August, 1909.
- No. 17982.—The Consolidated Goldfields of New Zealand, Limited, a company duly incorporated, and having its head office at 20 Copthall Avenue, London, England, and its mining property at Reefton, in New Zealand, and branch office at same place, registered as licensees upon the terms and conditions set out in deed. Circulating and mixing crushed ore. (F. C. Brown and S. D. McMiken.) 9th August, 1909.
- No. 24513.—United Shoe Machinery Company, of Paterson, in the State of New Jersey, in the United States of America, a corporation duly organized under the laws of said State of New Jersey, and having a place of business at 205 Lincoln Street, in Boston, in the Commonwealth of Massachusetts, United States of America. Beating-machine for finishing boots and shoes. (F. L. Alley.) 12th August, 1909.
- No. 24613.—Walter Guise, of Ponsonby, Auckland, New Zealand. Suspending, raising, and lowering curtains. (A. R. Rann and H. Collins.) 17th August, 1909.

Applications for Letters Patent abandoned.

LIST of applications, with which provisional specifications only have been filed, abandoned (*i.e.*, complete specifications not lodged) from the 7th to the 21st August, 1909, inclusive:—

- No. 25025.—J. T. Muir, dividing and wrapping butter. (E. G. McDougall.)
 No. 25029.—R. Gilkes, protecting shop-fronts from dogs.
 No. 25032.—W. J. Roebuck, post coupling.
 No. 25035.—T. McNabb, picture-frame-making apparatus.
 No. 25038.—W. Seifert, flax-treatment.
 No. 25039.—F. W. May, ballast truck.
 No. 25046.—J. E. C. Brown, explosive engine.
 No. 25048.—A. H. Wright, lock.
 No. 25049.—A. H. Wright, guard for table game.
 No. 25050.—A. H. Wright, displaying telephone-lists, &c.
 No. 25051.—A. H. Wright, cooker.
 No. 25053.—J. Ford, candle-saver.
 No. 25054.—R. Paladini, fan.
 No. 25055.—A. J. Worms, surveying-peg.
 No. 25056.—G. Hutchinson, reading-stand.
 No. 25059.—E. Bingham, cycle-horn actuator.
 No. 25064.—R. Millis, tire-protector.
 No. 25065.—D. Laing, cigarette.
 No. 25067.—R. R. Dunn and A. Whett, brickmaking composition.
 No. 25072.—H. Croft, roundabout.
 No. 25074.—W. J. Roebuck, step-ladder.
 No. 25076.—H. Maighan, raising venetian blinds.
 No. 25084.—E. Moss, fire-alarm.
 No. 25085.—W. G. Richardson, centrifugal machine.
 No. 25087.—E. Dahl, cot.
 No. 25088.—M. Burns, bale-grip.
 No. 25089.—C. B. M. Branson, saddle-cover.
 No. 25097.—F. Stubbs, cooking-range hot-water system.
 No. 25106.—J. McMullen, mail-bag delivery, &c., device.
 No. 25109.—H. M. Keesing, air-tank for gas-manufacture.
 No. 25111.—F. D. McLeod, corrosion-preventing solution.

Applications for Letters Patent void.

APPLICATIONS for Letters Patent, with which complete specifications have been lodged, void owing to non-acceptance of such complete specifications, from the 8th to the 20th August, 1909, inclusive:—

- No. 24403.—C. McKee, book for recording brands or ear-marks.
 No. 24424.—E. Wrigley, flax-treatment.

Applications for Letters Patent lapsed.

APPLICATIONS for Letters Patent lapsed, owing to Letters Patent not being sealed, from the 8th to the 20th August, 1909, inclusive:—

- No. 23988.—C. F. Pulley, planing wharf-decking.
 No. 23990.—T. J. Gilfedder, speed-indicator.
 No. 24003.—G. Ruthven, hock-boot for horses.

Letters Patent void.

LIST of Letters Patent void through non-payment of renewal fees, and through expiry of term of fourteen years, from the 7th to the 20th August, 1909, inclusive:—

THROUGH NON-PAYMENT OF SECOND-TERM FEES.

- No. 18758.—A. Marr, curtain-pole.
 No. 19444.—H. R. Worthington, centrifugal pump. (F. Ray).
 No. 19446.—J. Guimarães, sterilising and preserving process. (E. N. Waters.)
 No. 19447.—W. J. H. Berry, bracket for blinds.
 No. 19449.—W. A. E. Browne, wood-drilling machine.
 No. 19453.—H. Quertier, conveyor.
 No. 19466.—E. V. Dixon, rotary engine.
 No. 19467.—G. H. Wallace and W. H. Lowthen, issuing and recording tickets.
 No. 19468.—The British Westinghouse Electric and Manufacturing Company, Limited, electric motor-control device. (T. S. Perkins and R. P. Jackson.)
 No. 19469.—B. Hunt, liquid-separator.
 No. 19470.—E. L. Oppermann, electric battery.
 No. 19471.—The Fish, Oil, and Guano Company, Limited, offal-treatment. (J. C. W. Stanley.)
 No. 19472.—D. Anderson, gas-burner.
 No. 19476.—C. Trevethick, brush.

- No. 19478.—The Edison Ore-milling Syndicate, Limited magnetic separator. (E. N. Waters—T. A. Edison.)
 No. 19479.—J. Gray, cultivator.
 No. 19488.—G. Stacey, voting-machine.
 No. 19493.—G. Broderick, tire.
 No. 19494.—A. J. L. Eckersley syrup-gauge.
 No. 19495.—C. E. Beer, road vehicle.
 No. 19496.—M. Steel and R. Thornton, carburetter.
 No. 19500.—K. Matthews, flax-treatment.
 No. 19501.—A. Curwood, J. Harrison, and E. A. Cameron, window-sash lock.
 No. 19846.—W. Stokes and J. H. Suckling, motor.
 No. 20543.—A. Curwood, J. Harrison, and E. A. Cameron, sash-fastener.

THROUGH NON-PAYMENT OF THIRD-TERM FEES.

- No. 14870.—J. Ford and A. C. Murray, perambulator.
 No. 14881.—T. S. Mully and W. Sievwright, preserving and anti-fouling composition for ships.

THROUGH EXPIRY OF TERM.

- No. 7827.—J. and J. Wiseman, animal-cover.

Notice of Request to amend Specification.

Patent Office,
 Wellington, 25th August, 1909.

A REQUEST for leave to amend the specification and drawing in respect of the undermentioned application for Letters Patent has been received, and is open to public inspection at this office. Any person may at any time from one month from the date of this *Gazette* give me notice in writing of opposition to the amendments. Such notice must set forth the particular grounds of objection, and be in duplicate. A fee of 10s. is payable thereon.

No. 15853.—9th January, 1903.—A. Walker and M. W. Marriage. Combustion-chamber and firebox for copper. (F. J. Newberry and A. Walker.) (Advertised in Supplement to *New Zealand Gazette*, No. 6, of the 23rd January, 1903.)

The nature of the proposed amendments is as follows:—

(1.) To insert the following paragraph, "This object is effected by making the device in parts adapted to be readily combined or joined together," after the paragraph ending "heated or boiled," line 5, page 2.

(2.) To strike out the word "But," line 6, page 2, and the words "will now," line 7, page 2.

(3.) To strike out the words "contracts in its diameter," line 12, page 3, and insert instead the words "is contracted"; to strike out the word "round," line 13, page 3, and insert instead the words "exterior of the curved surface"; and to strike out the words "protruding from the said chamber," line 15, page 3, and to insert instead the word "thereon."

(4.) To insert in place of the word "this," line 16, page 3, the words "The top of the"; in place of the words "has convex outer sides at its top," lines 16 and 17, page 3, the words "by reference to the drawing is contracted where it joins"; in place of the words "above it," line 18, page 3, the words "to which it is attached"; and in place of the words "a flange," line 19, page 3, the words "flanges on the combustion-chamber and firebox respectively."

(5.) To insert after the paragraph ending "circulate around the same," line 8, page 4, the following paragraph: "We do not claim separately the ordinary attachments to the combustion-chamber and firebox, such as the spiral circulating-rib, the smoke-discharge hole with a dampered smoke-pipe, the handles, the ashpit hole, the fire-door with stops beneath it, and the firebars, as such attachments in various forms have before been used in portable and other furnaces, and may in fact be modified in our device without affecting the utility of our invention, but."

(6.) To insert the word "An" in place of the word "The," line 13, page 4; to insert the words "as a whole" after the word "copper," line 15, page 4; to strike out all the words from "consisting of" down to "firebars, all," lines 15 to 25, page 4; and to strike out the word "as," line 26, page 4.

(7.) In Fig. 1 of the drawings, to alter the letter referring to the protuberances from "Q" to "O."

The patentees state: "Our reasons for making this amendment are as follow: To define more clearly the scope of the invention, and to remove ambiguity in the specification and to correct the drawing, and to distinguish what is old from what is new."

J. C. LEWIS,
 Registrar

Requests to amend Specification allowed.

THE requests to amend the documents in respect of applications for Letters Patent—No. 24734, W. Seifert and W. Campbell, flax-treatment; and No. 25393, J. McDonald and J. Hopkirk, milk-agitator (advertised in Supplement to *New Zealand Gazette*, No. 59, of the 15th July, 1909), have been allowed.

Designs expired.

THE copyrights in the following designs have expired:—

- No. 215.—C. M. Brooke, of Christchurch, New Zealand. (Bottle.)
- No. 216.—Griffin and Sons, Limited, of Nelson, New Zealand. (Biscuit-pattern.)

Applications for Trade Marks filed.

LIST of applications for registration of Trade Marks filed from the 6th to the 20th August, 1909, inclusive:—

- No. 8175.—7th August.—H. S. Dudley, Auckland, N.Z. Class 38.
- No. 8176.—9th August.—Laidlaw, Leeds, and Co., Auckland, N.Z. Class 42.
- No. 8177.—9th August.—Morris Little and Son, Limited, Doncaster, Eng. Class 2.
- No. 8178.—9th August.—Bing, Harris, and Co., Limited, Dunedin, N.Z. Class 38.
- No. 8179.—10th August.—W. F. Munn, Hurstville, N.S.W. Class 38.
- Nos. 8180, 8181, 8182, and 8183.—10th August.—H. and G. Klotz and Cie (trading as "Ed. Pinaud"). Class 48.
- No. 8184.—11th August.—F. W. May (trading as "May Bros."), Auckland, N.Z. Class 32.
- No. 8185.—11th August.—Torries, Limited, Auckland, N.Z. Class 44.
- No. 8186.—12th August.—Dainties, Limited, Christchurch, N.Z. Class 42.
- No. 8187.—12th August.—L. E. Waterman Company, New York, U.S.A. Class 39.
- No. 8188.—13th August.—T. Crocket (trading as "The Bluff Canning Company"), Bluff, N.Z. Class 42.
- No. 8189.—14th August.—A. C. Lennard, Wanganui, N.Z. Class 42.
- No. 8190.—16th August.—The Tamaki Co-operative Dairy Company, Limited, Dannevirke, N.Z. Class 42.
- No. 8191.—16th August.—J. B. MacEwan and Co., Limited, Wellington, N.Z. Class 42.
- No. 8192.—17th August.—Reckitts (Over Sea), Limited, Wellington, N.Z. Class 50.
- No. 8193.—18th August.—J. Cave and Sons, Limited, Rushden, Eng. Class 38.
- Nos. 8194 and 8195.—18th August.—Continental Caoutchouc und Gutta Percha Compagnie, Hanover, Ger. Class 40.
- No. 8196.—18th August.—A. H. Newman, Napier, N.Z. Class 47.
- No. 8197.—18th August.—Wright, Stephenson, and Co., Limited, Dunedin, N.Z. Class 50.
- No. 8198.—19th August.—Hargreaves Bros. and Co., Limited, Hull, Eng. Class 47.
- Nos. 8199, 8200, 8201, and 8202.—19th August.—Toota Broadhurst Lee Company, Limited. Classes 24, 25, 24 and 38 respectively.
- Nos. 8203 and 8204.—19th August.—Booth's Distillery, Limited, London, Eng. Class 43.
- No. 8205.—19th August.—C. F. Lungley, Albert Park, Vic. Class 37.
- No. 8206.—20th August.—Hayward Bros. and Co., Limited, Christchurch, N.Z. Class 47.
- Nos. 8207 and 8208.—20th August.—J. A. Bastin, Auckland, N.Z. Classes 41 and 38.

Applications for Registration of Trade Marks.

Patent Office,
Wellington, 25th August, 1909.

APPLICATIONS for registration of the following Trade Marks have been received. Notice of opposition to the registration of any of these applications may be lodged at this office within two months of the date of this *Gazette*. Such notice must be in duplicate, and accompanied by a fee of £1.

No. of application : 7314.
Date : 11th May, 1908.

TRADE MARK



The essential particular of this trade mark is the device; and any right to the exclusive use of the added matter is disclaimed.

The applicants claim that the said trade mark has been in use by them and their predecessors in business since 16th February, 1888.

NAME.

R. AND J. DICK, LIMITED, of Greenhead, in the County of the City of Glasgow, Scotland, Manufacturers.

No. of class : 40.

Description of goods: Machinery driving-belts composed of balata and canvas.

[NOTE.—This application is regazetted on account of an error in the former notice.]

No. of application : 7451.
Date : 18th July, 1908.

TRADE MARK.

The word

NUJET.

NAME.

HENRY EDWARD BILLSON, of Ferry Road, Christchurch, in the Dominion of New Zealand.

No. of class : 50.

Description of goods: Boot and shoe and harness polishes, &c.

No. of application : 7896.
Date : 18th March, 1909.

TRADE MARK.

HECLA

The applicants claim that the said trade mark has been in use by them or their predecessors for upwards of three years before 2nd September, 1889.

NAME.

HADFIELDS STEEL FOUNDRY COMPANY, LIMITED, of Hecla Works, Sheffield, England, Manufacturers.

No. of class : 5.

Description of goods : Iron and steel, and metal alloys generally.

No. of application : 7897.

Date : 18th March, 1909.

TRADE MARK

(The mark as shown in preceding notice, No. 7896.)

The applicants claim that the said trade mark has been in use by them or their predecessors for upwards of three years before 2nd September, 1889.

NAME.

HADFIELDS STEEL FOUNDRY COMPANY, LIMITED, of Hecla Works, Sheffield, England, Manufacturers.

No. of class : 6.

Description of goods : Machinery of all kinds, and parts of machinery

No. of application : 7898.

Date : 18th March, 1909.

TRADE MARK.

(The mark as shown in preceding notice No. 7896.)

The applicants claim that the said trade mark has been in use by them or their predecessors for upwards of three years before 2nd September, 1889.

NAME.

HADFIELDS STEEL FOUNDRY COMPANY, LIMITED, of Hecla Works, Sheffield, England, Manufacturers.

No. of class : 13.

Description of goods : Forgings and castings not included in other classes.

No. of application : 7899.

Date : 18th March, 1909.

TRADE MARK.

(The mark as shown in preceding notice No. 7896.)

The applicants claim that the said trade mark has been in use by them or their predecessors for upwards of three years before 2nd September, 1889.)

NAME.

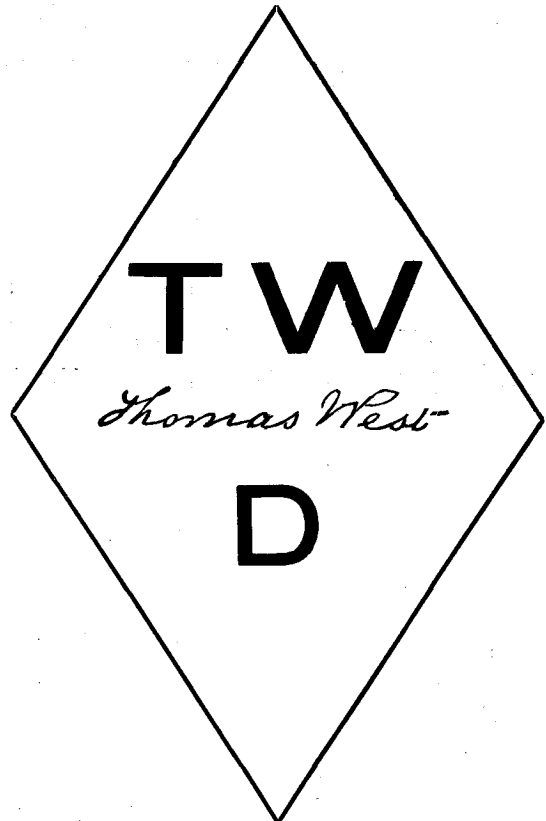
HADFIELDS STEEL FOUNDRY COMPANY, LIMITED, of Hecla Works, Sheffield, England, Manufacturers.

No. of class : 19.

Description of goods : Arms, ammunition, and stores, not included in Class 20.

No. of application : 8071.

Date : 24th June, 1909.

TRADE MARK

The essential feature of this trade mark is the signature in a diamond; and any right to the exclusive use of the added matter is disclaimed.

NAME.

THOMAS WEST, trading as "Thomas West and Co.," of MacLaggan Street, Dunedin, in the Dominion of New Zealand.

No. of class : 44.

Description of goods : Hop-beer, cider (unfermented), ginger-beer, &c.

No. of application : 8126.

Date : 22nd July, 1909.

TRADE MARK.

The words

**PIONEER
PLASTALBO
LIME WORKS.**

The essential particular of this trade mark is the word "Plastalbo"; and any right to the exclusive use of the added matter is disclaimed.

NAME.

JOHN MITCHELL, of Security Buildings, Auckland, in the Provincial District of Auckland, in the Dominion of New Zealand, Architect.

No. of class : 17.

Description of goods : Building-plaster.

No. of application: 8131.

Date: 23rd July, 1909.

TRADE MARK.



The essential particulars of this trade mark are the word "Silvo" and the device; and any right to the exclusive use of the words "Trade Mark" is disclaimed.

NAME.

ALLAN McNAUGHTON, trading as "The British Plate Powder Company," of Maitland Street, Dunedin, in the Dominion of New Zealand, Manufacturer.

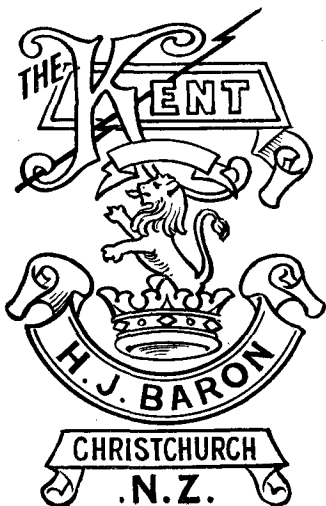
No. of class: 50.

Description of goods: Polishing powders, cloths, preparations, and materials.

No. of application: 8139.

Date: 27th July, 1909.

TRADE MARK.



The essential particular of this trade mark is the distinctive label.

NAME.

HENRY JOSEPH BARON, of 38 Bedford Row, Christchurch, in the Dominion of New Zealand.

No. of class: 22.

Description of goods: Bicycles.

No. of application: 8152.

Date: 2nd August, 1909.

TRADE MARK.



The essential particulars of this trade mark are the word "Jumbo" and the device, with a representation of an elephant in a sitting posture; and any right to the exclusive use of the added matter is disclaimed.

NAME.

ROBERT LOUIS HOWELL MURRAY, of Ponsonby, in the City of Auckland and Dominion of New Zealand, Engineer.

No. of class: 18.

Description of goods: Lighting contrivances, such as acetylene-gas generators and all appliances connected therewith.

No. of application: 8154.

Date: 3rd August, 1909.

TRADE MARK.

"LILAINE"

NAME.

EDOUARD LEURENT, of 48 Boulevard Gambetta, Tourcoing, France, Manufacturer.

No. of class: 34.

Description of goods: Cloths and stuffs of wool, worsted, or hair.

No. of application: 8155.

Date: 3rd August, 1909.

TRADE MARK.

(The mark as shown in preceding notice, No. 8154.)

NAME.

EDOUARD LEURENT, of 48 Boulevard Gambetta, Tourcoing, France, Manufacturer.

No. of class: 38.

Description of goods: Articles of clothing.

No. of application: 8158.

Date: 3rd August, 1909.

TRADE MARK.



The essential particulars of this trade mark are the following—(1) the word "Glenleven," (2) the facsimile signature "John Haig & Co.,"; and the applicants disclaim any right to the exclusive use of the added matter, except in so far as it consists of their name and address.

NAME.

JOHN HAIG AND CO., LIMITED, of Balgonie Road, Markinch, Scotland, Distillers.

No. of class: 43.

Description of goods: Whisky.

No. of application: 8159.
Date: 3rd August, 1909.

TRADE MARK.

The word

CALVERT'S.

The applicants claim that the said trade mark has been used by them in respect of the articles mentioned from before 1889.

NAME.

F. C. CALVERT AND Co., of Tower Chemical Works, Gibbons Street, Bradford, Manchester, England, Manufacturing Chemists.

No. of class: 1.

Description of goods: Carbolic acid for use in manufactures.

No. of application: 8160.
Date: 3rd August, 1909.

TRADE MARK.

The word

CALVERT'S.

The applicants claim that the said trade mark has been used by them in respect of the articles mentioned from before 1889.

NAME.

F. C. CALVERT AND Co., of Tower Chemical Works, Gibbons Street, Bradford, Manchester, England, Manufacturing Chemists.

No. of class: 2.

Description of goods: Carbolic acid or preparations thereof used for agricultural, horticultural, veterinary, and sanitary purposes.

No. of application: 8161.
Date: 3rd August, 1909.

TRADE MARK.

The word

CALVERT'S.

The applicants claim that the said trade mark has been used by them in respect of the articles mentioned from before 1889.

NAME.

F. C. CALVERT AND Co., of Tower Chemical Works, Gibbons Street, Bradford, Manchester, England, Manufacturing Chemists.

No. of class: 3.

Description of goods: Carbolic acid or preparations thereof for use in medicine and pharmacy.

No. of application: 8162.
Date: 3rd August, 1909.

TRADE MARK.

The word

CALVERT'S.

The applicants claim that the said trade mark has been used by them in respect of the articles mentioned from before 1889.

NAME.

F. C. CALVERT AND Co., of Tower Chemical Works, Gibbons Street, Bradford, Manchester, England, Manufacturing Chemists.

No. of class: 47.

Description of goods: Hard and soft soap included in Class 47.

No. of application: 8163.
Date: 3rd August, 1909.

TRADE MARK.

The word

CALVERT'S.

The applicants claim that the said trade mark has been used by them in respect of the articles mentioned from before 1889.

NAME.

F. C. CALVERT AND Co., of Tower Chemical Works, Gibbons Street, Bradford, Manchester, England, Manufacturing Chemists.

No. of class: 48.

Description of goods: Perfumery (including toilet articles, preparations for the teeth and hair, and perfumed soap).

No. of application: 8164.
Date: 4th August, 1909.

TRADE MARK.

Jodipin

NAME.

The person or persons trading under the firm-name or style of E. MERCK, of Frankfurterstrasse 250, Darmstadt, Germany, Chemical-manufacturers.

No. of class: 3.

Description of goods: Chemical substances prepared for use in medicine and pharmacy.

No. of application: 8165.
Date: 4th August, 1909.

TRADE MARK.

DIONIN

NAME.

The person or persons trading under the firm-name or style of E. MERCK, of Frankfurterstrasse 250, Darmstadt, Germany, Chemical-manufacturers.

No. of class: 3.

Description of goods: Chemical substances prepared for use in medicine and pharmacy.

No. of application : 8168.
Date : 5th August, 1909.

The word **TRADE MARK.**

SPHINX.

NAME.

JOSEPH NATHAN AND Co., LIMITED, of Wellington, in the Dominion of New Zealand.

No. of class : 5.

Description of goods : Galvanised, corrugated, and flap iron, and goods of such class.

No. of application : 8169.
Date : 5th August, 1909.

The word **TRADE MARK.**

VENUS.

NAME.

JOSEPH NATHAN AND Co., LIMITED, of Wellington, in the Dominion of New Zealand.

No. of class : 5.

Description of goods : Galvanised, corrugated, and flap iron, and goods of such class.

No. of application : 8170.
Date : 5th August, 1909.

The word **TRADE MARK.**

MINERVA.

NAME.

JOSEPH NATHAN AND Co., LIMITED, of Wellington, in the Dominion of New Zealand.

No. of class : 5.

Description of goods : Galvanised, corrugated, and flap iron, and goods of such class.

No. of application : 8171.
Date : 5th August, 1909.

The word **TRADE MARK.**

AJAX.

NAME.

JOSEPH NATHAN AND Co., LIMITED, of Wellington, in the Dominion of New Zealand.

No. of class : 5.

Description of goods : Galvanised, corrugated, and flap iron, and goods of such class.

No. of application : 8172.
Date : 5th August, 1909.

The word **TRADE MARK.**

EXMAZOL.

NAME.

CHARLES AUGUSTUS FLETCHER, of Talavera Terrace, Wellington, in the Dominion of New Zealand.

No. of class : 3.

Description of goods : Ointment and medicine for human use.

No. of application : 8173.
Date : 5th August, 1909.

The word **TRADE MARK.**

BRONCHIALINCTUS.

NAME.

CHARLES AUGUSTUS FLETCHER, of Talavera Terrace, Wellington, in the Dominion of New Zealand.

No. of class : 3.

Description of goods : Cough remedy.

No. of application : 8174.
Date : 5th August, 1909.

The word **TRADE MARK.**

CULTENE.

NAME.

MILSOM AND Co., of King's Chambers, Wellington, in the Dominion of New Zealand, Hair-physicians and Face-specialists.

No. of class : 48.

Description of goods : A preparation for the skin.

No. of application : 8177.
Date : 9th August, 1909.

The word **TRADE MARK.**

PHENOID.

NAME.

MORRIS, LITTLE, AND SON, LIMITED, of Doncaster, England, Sheep-dip Manufacturers.

No. of class : 2.

Description of goods : A disinfectant.

No. of application : 8178.
 Date : 9th August, 1909.

TRADE MARK.

The word

SLIPPERETTE.

NAME.

BING, HARRIS, AND Co., LIMITED, of High Street, Dunedin, and elsewhere, in the Dominion of New Zealand, Importers and Warehousemen.

No. of class : 38.
 Description of goods : All kinds of footwear.

No. of application : 8179.
 Date : 10th August, 1909.

TRADE MARK.

"The Dalym"

NAME.

WILLIAM FREDRICK MUNN, of "Macclesfield," Gloucester Road, Hurstville, Sydney, in the State of New South Wales, Commonwealth of Australia, Carter.

No. of class : 38.
 Description of goods : Footwear.

No. of application : 8180.
 Date : 10th August, 1909.

TRADE MARK.



The essential particular of the trade mark is as follows—the distinctive label.

NAME.

H. & G. KLOTZ & CIE, trading as "Ed. Pinaud," of 18 Place Vendôme, Paris, France, Perfumers.

No. of class : 48.

Description of goods : A toilet article or preparation for the hair.

No. of application : 8181.
 Date : 10th August, 1909.

TRADE MARK.



The essential particulars of the trade mark are as follow—the combination of devices and the copy of the written signature "Ed. Pinaud"; and any right to the exclusive use of the added matter is disclaimed.

NAME.

H. & G. KLOTZ & CIE, trading as "Ed. Pinaud," of 18 Place Vendôme, Paris, France, Perfumers.

No. of class : 48.

Description of goods : Perfumery, including toilet articles, preparations for the teeth and hair, and perfumed soap.

No. of application : 8182.
Date : 10th August, 1909.

TRADE MARK.



The essential particulars of the trade mark are as follow—the combination of devices, the words “A la Corbeille Fleurie” (English—“The basket of flowers”), and the copy of the written signature “Ed. Pinaud”; and applicants disclaim any right to the exclusive use of the added matter, except in so far as it consists of their trading name and address.

NAME.

H. & G. Klotz & Cie, trading as “Ed. Pinaud,” of 18 Place Vendôme, Paris, France, Perfumers.

No. of class : 48.
Description of goods : A toilet article or preparation.

No. of application : 8183.
Date : 10th August, 1909.

TRADE MARK.



The essential particular of the trade mark is as follows—the distinctive label.

NAME.

H. & G. Klotz & Cie, trading as “Ed. Pinaud,” of 18 Place Vendôme, Paris, France, Perfumers.

No. of class : 48.
Description of goods : Perfumery, including toilet articles, preparations for the teeth and hair, and perfumed soap.

No. of application : 8190.
Date : 16th August, 1909.

TRADE MARK.



The essential particular of this trade mark is the device and the word “Bell”; and the applicants disclaim any right to the exclusive use of the added matter, except in so far as it consists of their name and address.

NAME.

TAMAKI CO-OPERATIVE DAIRY COMPANY, LIMITED, of Te Rehunga, Dannevirke, in the Dominion of New Zealand.

No. of class : 42.
Description of goods : Butter.

J. C. LEWIS,
Registrar.

Trade Marks registered.

- LIST of Trade Marks registered from the 7th to the 21st August, 1909, inclusive :—
- No. 6293/7399.—Blythe and McLuskie. Class 3. (*Gazette* No. 53, of the 23rd July, 1908.)
 - No. 6294/7816.—The Chemical Union, Limited. Class 2. (*Gazette* No. 45, of the 4th June, 1909.)
 - No. 6295/7599.—Wakelin Bros. Class 42. (*Gazette* No. 79, of the 15th October, 1908.)
 - No. 6296/7485.—R. Frew. Class 49. (*Gazette* No. 69, of the 3rd September, 1908.)
 - No. 6297/7644.—Rocke, Tompsitt, and Co. Class 2. (*Gazette* No. 100, of the 10th December, 1908.)
 - No. 6298/7678.—Ong Sam Leong and Co. Class 42. (*Gazette* No. 100, of the 10th December, 1908.)
 - No. 6299/7766.—A. J. White (Colonial), Limited. Class 3. (*Gazette* No. 4, of the 14th January, 1909.)
 - No. 6300/7767.—A. J. White (Colonial), Limited. Class 3. (*Gazette* No. 4, of the 14th January, 1909.)
 - No. 6301/7771.—Hall, Bayliss, and Co. Class 50. (*Gazette* No. 7, of the 28th January, 1909.)
 - No. 6302/7825.—American Axe and Tool Company. Class 12. (*Gazette* No. 41, of the 20th May, 1909.)
 - No. 6303/7840.—J. Dewar and Sons, Limited. Class 43. (*Gazette* No. 21, of the 11th March, 1909.)
 - No. 6304/7842.—J. Bartram and Son. Class 7. (*Gazette* No. 21, of the 11th March, 1909.)
 - No. 6305/7843.—J. Bartram and Son. Class 40. (*Gazette* No. 21, of the 11th March, 1909.)
 - No. 6306/7860.—Seebom and Dieckstahl, Limited. Class 5. (*Gazette* No. 24, of the 25th March, 1909.)
 - No. 6307/7861.—Seebom and Dieckstahl, Limited. Class 12. (*Gazette* No. 24, of the 25th March, 1909.)
 - No. 6308/7862.—Seebom and Dieckstahl, Limited. Class 13. (*Gazette* No. 24, of the 25th March, 1909.)
 - No. 6309/7864.—Craig and Aitken. Class 12. (*Gazette* No. 21, of the 11th March, 1909.)
 - No. 6310/7880.—B. Morris and Sons, Limited. Class 45. (*Gazette* No. 24, of the 25th March, 1909.)
 - No. 6311/7881.—B. Morris and Sons, Limited. Class 45. (*Gazette* No. 24, of the 25th March, 1909.)
 - No. 6312/7882.—B. Morris and Sons, Limited. Class 45. (*Gazette* No. 24, of the 25th March, 1909.)
 - No. 6313/7883.—B. Morris and Sons, Limited. Class 45. (*Gazette* No. 24, of the 25th March, 1909.)

No. 6314/7891.—Blakey's Boot-protectors, Limited. Class 13. (*Gazette* No. 30, of the 8th April, 1909.)
 No. 6315/7909.—J. and W. Nicholson and Co., Limited. Class 43. (*Gazette* No. 30, of the 8th April, 1909.)
 No. 6316/7914.—Hazel-Atlas Glass Company. Class 15. (*Gazette* No. 30, of the 8th April, 1909.)
 No. 6317/7388.—I. More. Class 47. (*Gazette* No. 58, of the 23rd July, 1908.)
 No. 6318/7628.—Bryant and May, Limited. Class 47. (*Gazette* No. 21, of the 11th March, 1909.)
 No. 6319/7967.—Gunn and Co. Class 42. (*Gazette* No. 45, of the 4th June, 1909.)
 No. 6320/7992.—Union Metallic Cartridge Company. Class 20. (*Gazette* No. 45, of the 4th June, 1909.)
 No. 6321/7800.—United Shoe Machinery Company. Class 6. (*Gazette* No. 45, of the 4th June, 1909.)
 No. 6322/7801.—United Shoe Machinery Company. Class 12. (*Gazette* No. 45, of the 4th June, 1909.)
 No. 6323/7990.—W. H. Metcalfe. Class 1. (*Gazette* No. 45, of the 4th June, 1909.)
 No. 6324/8004.—Ellis and Manton. Class 42. (*Gazette* No. 45, of the 4th June, 1909.)
 No. 6325/8005.—Ellis and Manton. Class 42. (*Gazette* No. 45, of the 4th June, 1909.)
 No. 6326/7464.—J. Hennessy. Class 3. (*Gazette* No. 61, of the 6th August, 1908.)
 No. 6327/7501.—Champion and Slee, Limited. Class 15. (*Gazette* No. 64, of the 20th August, 1908.)
 No. 6328/7502.—Champion and Slee, Limited. Class 42. (*Gazette* No. 69, of the 3rd September, 1908.)
 No. 6329/7780.—J. Worsnop. Class 47. (*Gazette* No. 7, of the 28th January, 1909.)
 No. 6330/7986.—R. Hall. Class 42. (*Gazette* No. 45, of the 4th June, 1909.)

Trade Mark Renewal Fees paid.

FEES paid for the renewal of the undermentioned Trade Marks for fourteen years from the date first mentioned:—

No. 1463/1196.—4th July, 1909.—Charles A. Watkins, London, Eng. Class 50. 11th August, 1909.

No. 1516/1288.—27th September, 1909.—Clarke's Pyramid and Fairy Light Company, Limited, Cricklewood, Eng. Class 47. 18th August, 1909.

No. 1530/1227.—17th October, 1909.—The Maketawa Dairy Factory Company, Limited, Inglewood, N.Z. Class 42. 12th August, 1909.

Trade Mark removed from the Register.

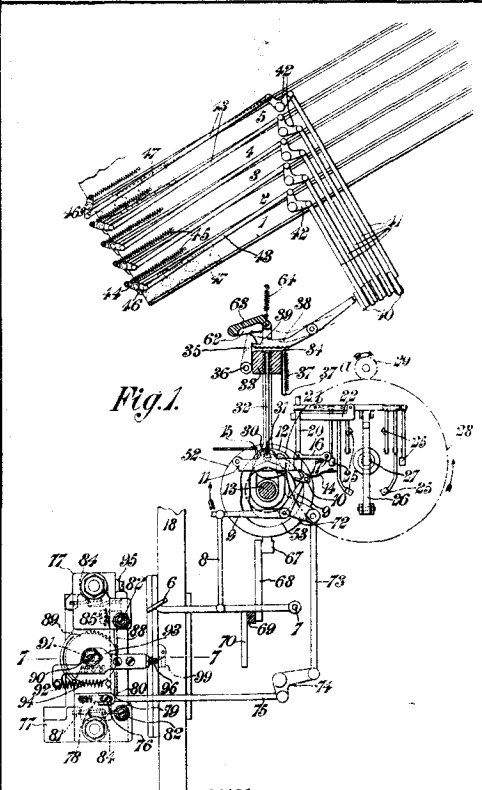
TRADE Mark removed from the Register owing to the non-payment of the renewal fee, from the 7th to the 20th August, 1909, inclusive:—

No. 1429/1155.—15th May, 1895.—John Dewar and Sons, Limited, of London, Eng. Class 43.

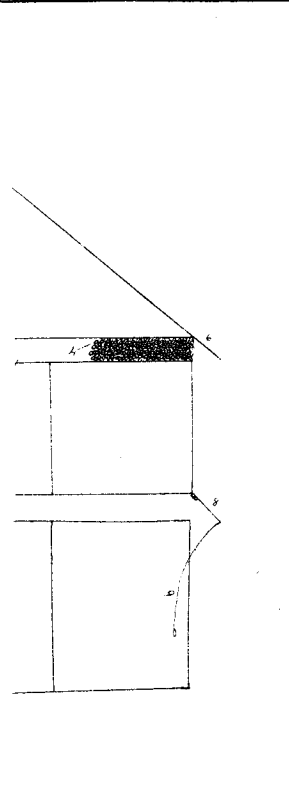
By Authority: JOHN MACKAY, Government Printer, Wellington.

ILLUSTRATIONS OF INVENTIONS.

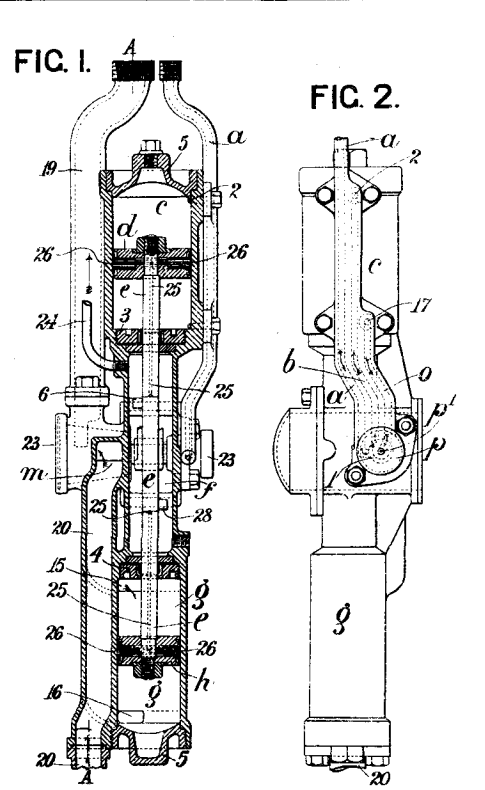
[These illustrations refer to the complete specifications accepted, and advertised in this *Gazette*.]



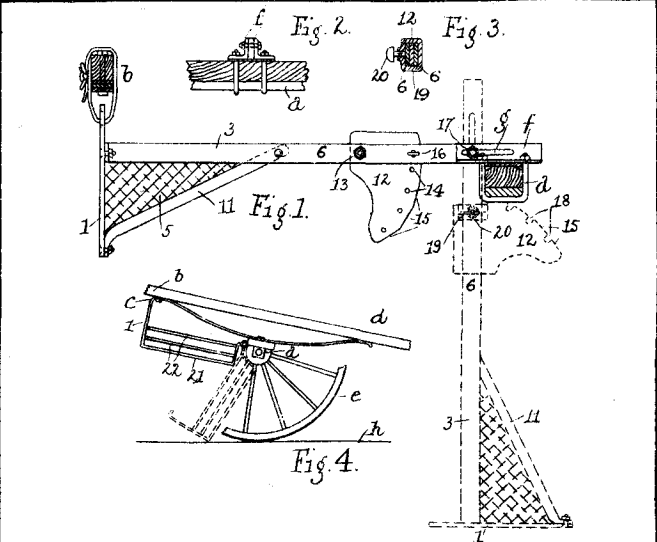
26191
Printing-machine. Hunter (Linotype and Machinery (Limited), Pearce and Billington.)



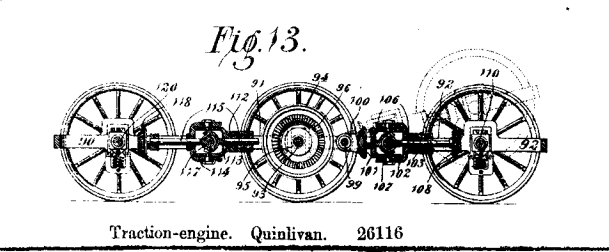
Ventilation-system. Arnold. 25749



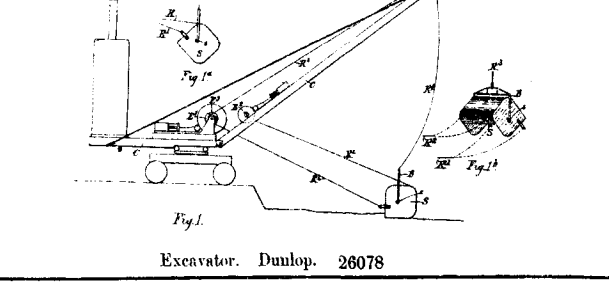
Pumping-machinery. Hutchings. 26248



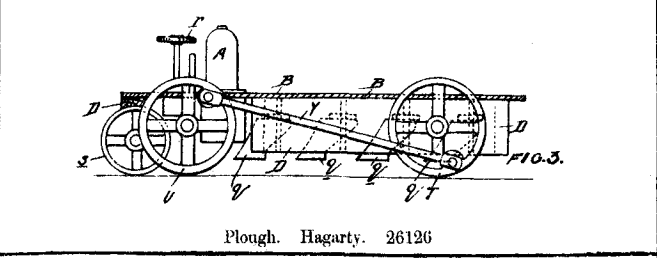
Jack. McEachern. 24835



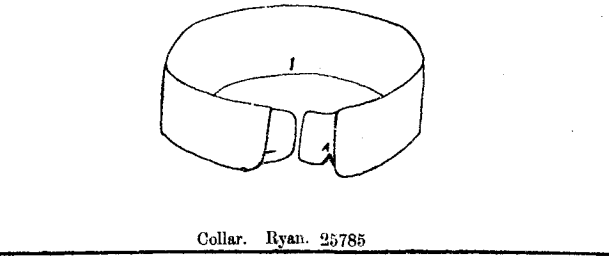
Traction-engine. Quinlan. 26116



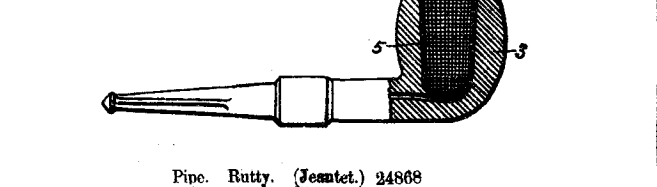
Excavator. Dunlop. 26078



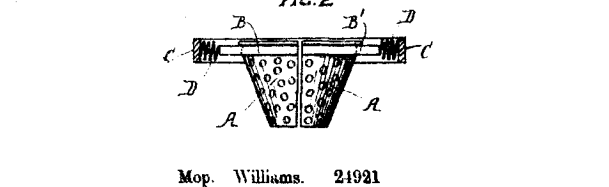
Plough. Hagarty. 26126



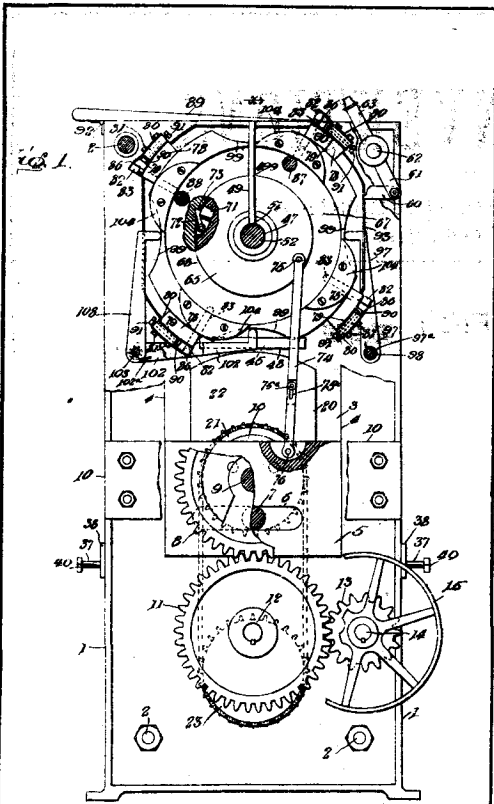
Collar. Ryan. 25785



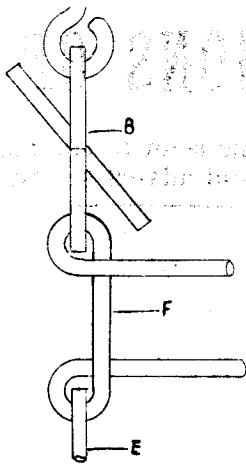
Pipe. Ratty. (Jemtet.) 24868



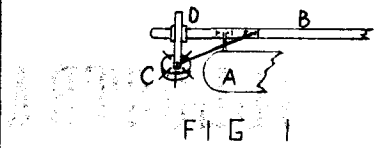
Mop. Williams. 24921



Printing-press. Cartwright. 26197



Harrow. Grant. 24981



Plough. A. and W. Bemet. 26226



Potato-planter. Hurley. 26230

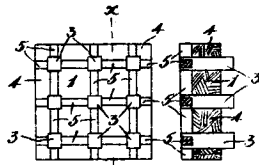
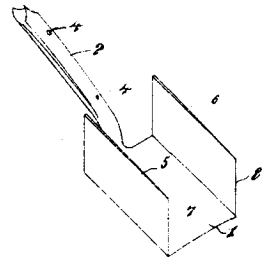


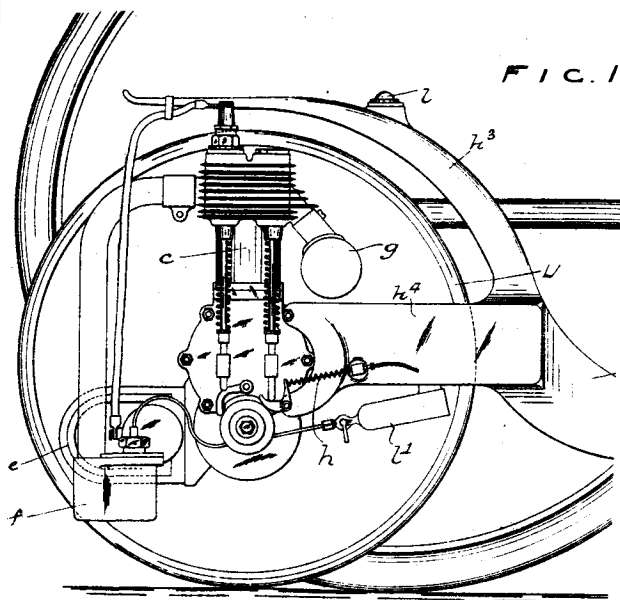
Fig. 4. Fig. 5.

26239

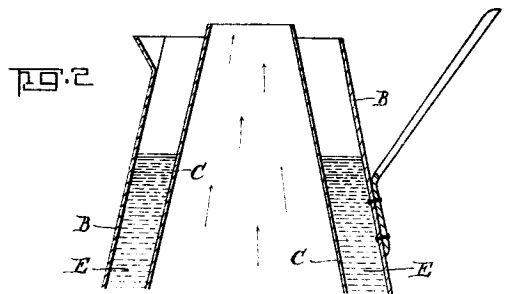
Tube-mill Lining. Sheeley and Tomlinson.



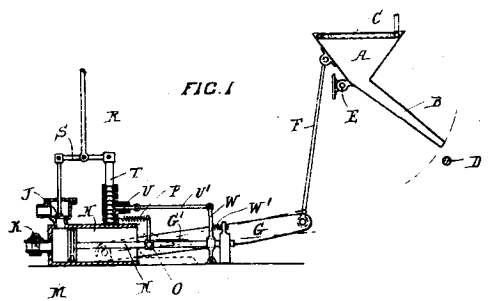
Potato-planter. Hurley. 26230



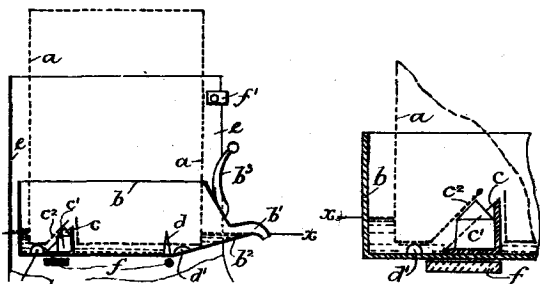
Motor. Wall. 26192



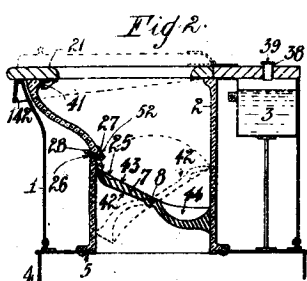
Kettle. Chaffey. 26161



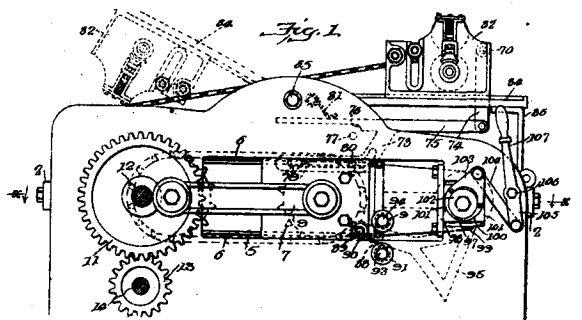
Flax-machine. Monteath. 25073



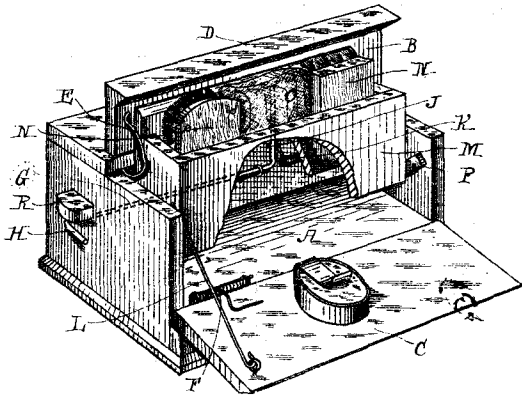
Can-filter. White and Robertson. 26165



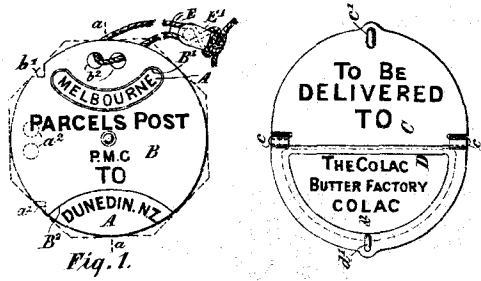
Closet. Berry. 26207



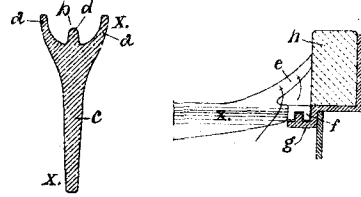
Printing-press. Cartwright. 26196



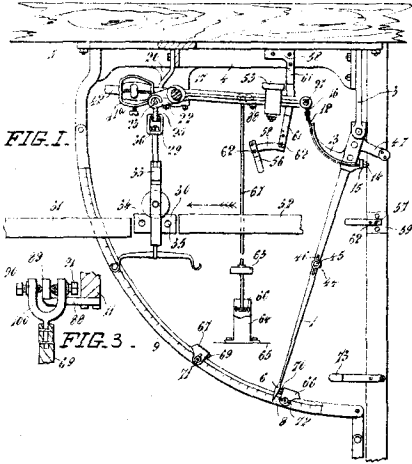
Cabinet. Robinson. 26202



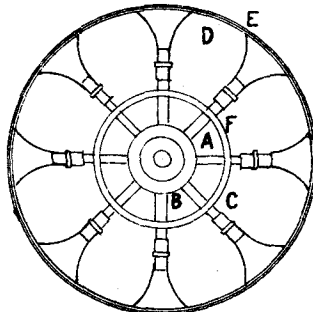
Mail-bag. Australian Reversible Delivery Label Proprietary (Limited.) 26268 (Reilly.)



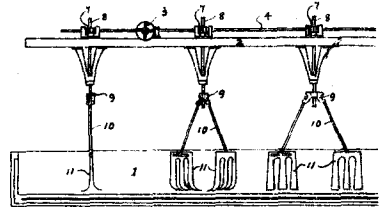
Fire-bar. Esplen. 26193



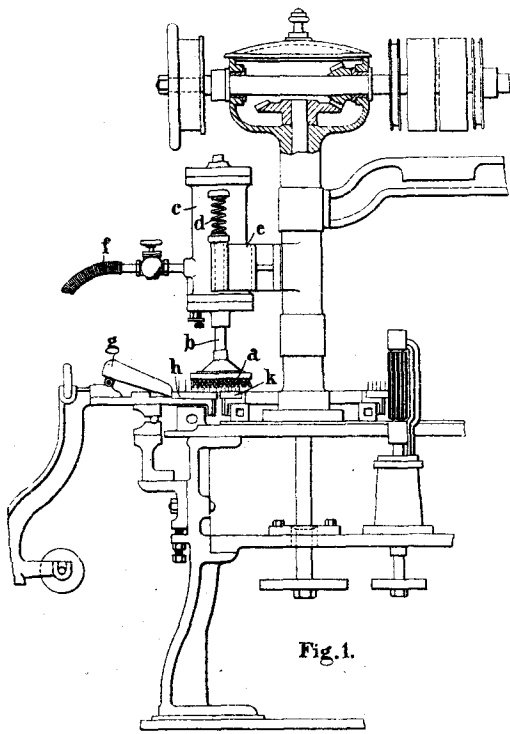
Weighing-apparatus. Hutchinson. 24588



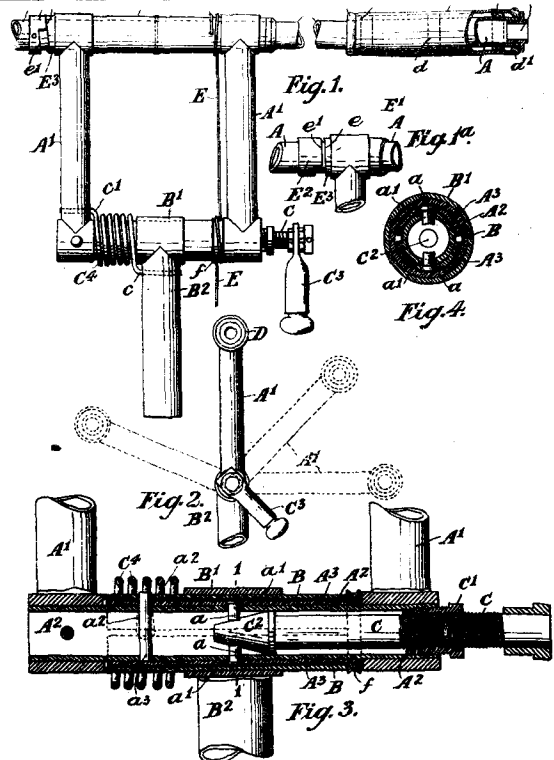
Wheel. Smith. 25426



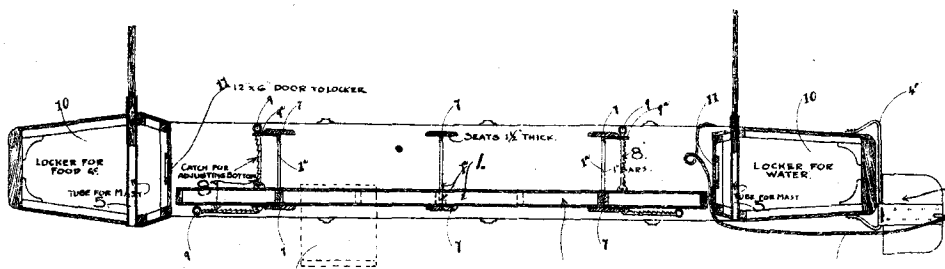
Milk-agitator. Hopkirk. 25393



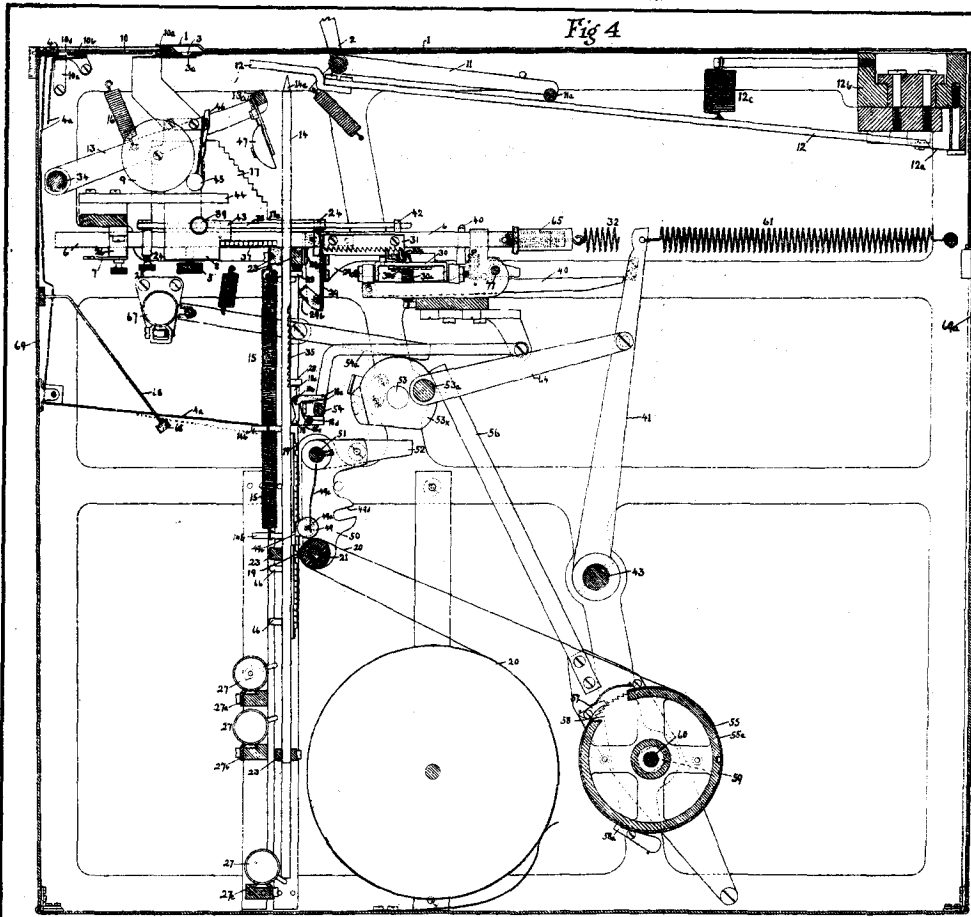
Reciprocatory Motion. Boys and Tierney. 25312



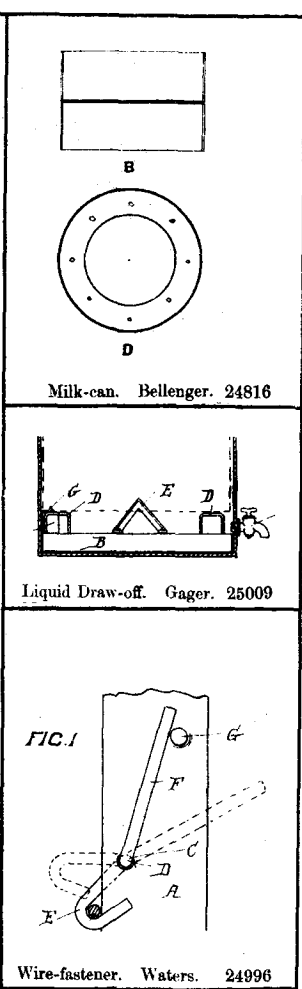
Cycle-handle Bar. Mead. 25021



Life-boat. Hannan. 26409



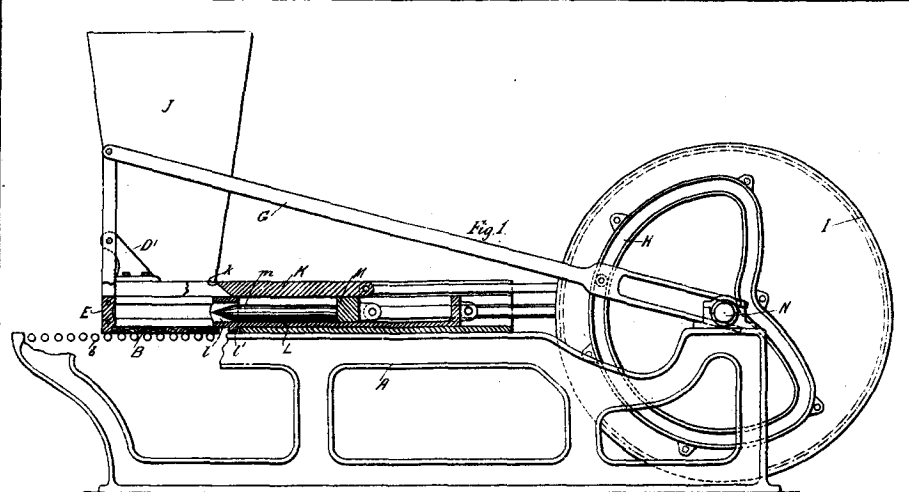
Voting-machine. McNab. 26185



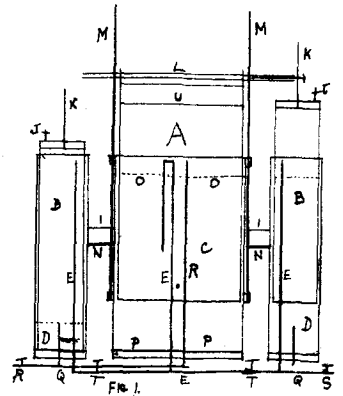
Milk-can. Bellenger. 24816

Liquid Draw-off. Gager. 25009

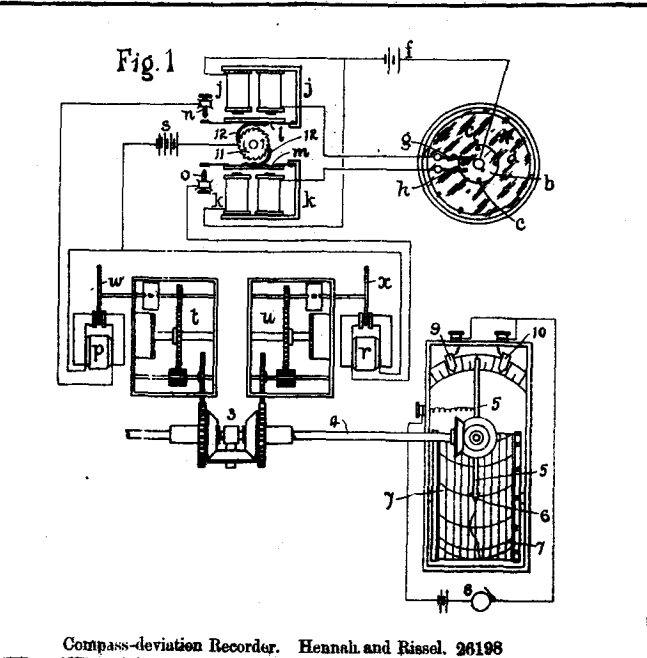
Wire-fastener. Waters. 24996



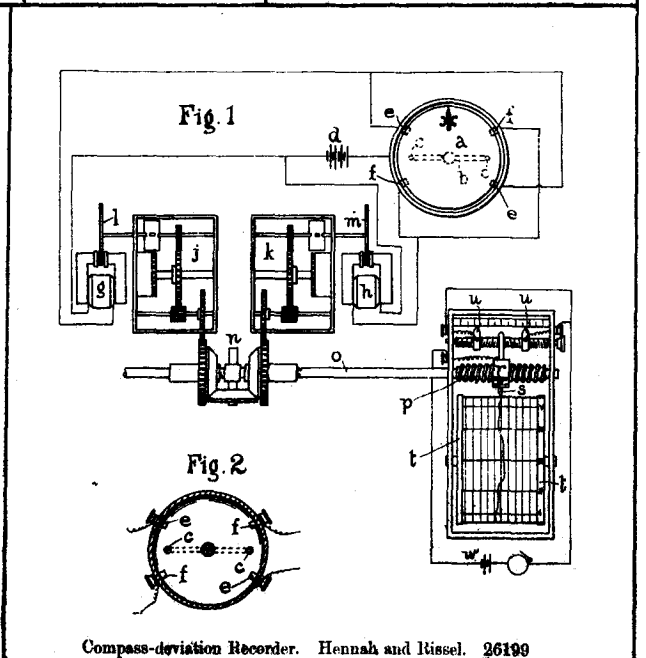
Building-slab. Snelling. 26249



Acetylene-generator. Wright. 25014



Compass-deviation Recorder. Hennah and Rissel. 26198



Compass-deviation Recorder. Hennah and Rissel. 26199